



BRAKE DISC PAINTED

09.7808.11

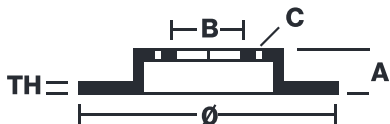
The 09.7808.11 painted brake disc is synonymous with reliability

The Brembo brake disc with special UV paint treatment guarantees superior corrosion resistance for the product, thanks to the protective coating on the outer edges and on the disc hub. The UV paint not only gives the disc a clean, shiny appearance but is also beneficial for the environment as the water-based UV paint treatment does not require the use of chemical solvents and is a low energy consumption process.

- ✓ OE-equivalent
- ✓ Brembo quality
- ✓ ECE-R90 certificate
- ✓ Safety
- ✓ High carbon
- ✓ Anti-corrosion
- ✓ Fastening screws

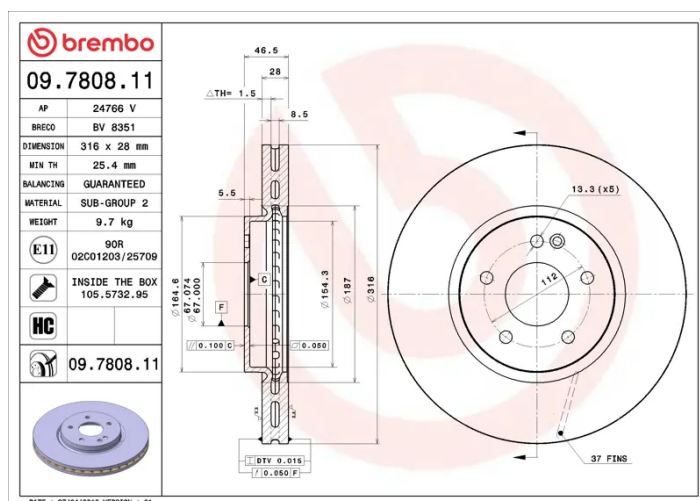


Technical specifications



EAN code	Diameter \varnothing	
8020584012031	316 mm	
Thickness (TH)	Height (A)	Number of holes (C)
28 mm	47 mm	5
Brake disc type	Centering (B)	Min. thickness
Ventilated	67 mm	25,4 mm

Tightening torque
110 Nm



COMPATIBLE VEHICLES

COMPATIBLE OE PART NUMBERS

2104211112	MERCEDES-BENZ
------------	---------------

2104211412	MERCEDES-BENZ
------------	---------------

2104211712	MERCEDES-BENZ
------------	---------------

2104212012	MERCEDES-BENZ
------------	---------------

A2104211412	MERCEDES-BENZ
-------------	---------------

A2104211712	MERCEDES-BENZ
-------------	---------------

A2104212012	MERCEDES-BENZ
-------------	---------------