



BRAKE DISC PAINTED

09.B508.11

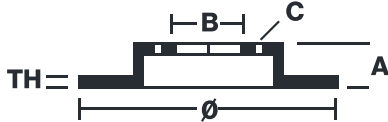
The 09.B508.11 painted brake disc is synonymous with reliability

The Brembo brake disc with special UV paint treatment guarantees superior corrosion resistance for the product, thanks to the protective coating on the outer edges and on the disc hub. The UV paint not only gives the disc a clean, shiny appearance but is also beneficial for the environment as the water-based UV paint treatment does not require the use of chemical solvents and is a low energy consumption process.

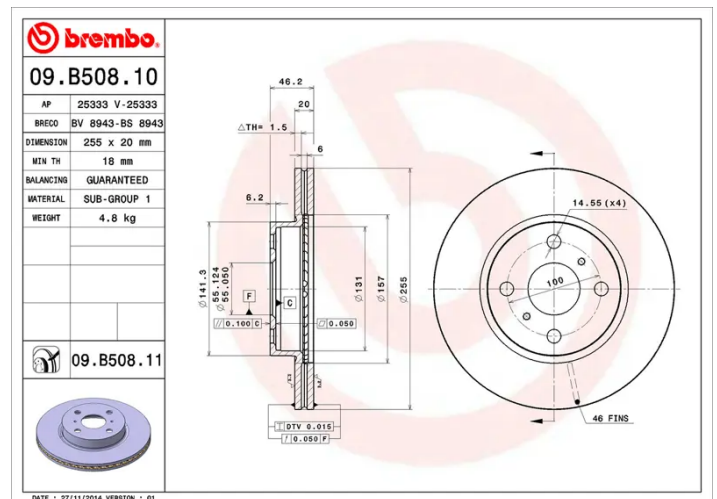
- ✓ OE-equivalent
- ✓ Brembo quality
- ✓ ECE-R90 certificate
- ✓ Safety
- ✓ Anti-corrosion



Technical specifications



EAN code 8020584214404	Axle Front	Diameter Ø 255 mm
Thickness (TH) 20 mm	Height (A) 46 mm	Number of holes (C) 4
Brake disc type Ventilated	Centering (B) 55 mm	Min. thickness 18 mm
Tightening torque 103 Nm		



COMPATIBLE VEHICLES

COMPATIBLE OE PART NUMBERS

4351274010

ASTON MARTIN

4351274010

TOYOTA