



# BRAKE PAD PRIME CERAMIC P06101N

The P06101N NAO brake pad is synonymous with reliability

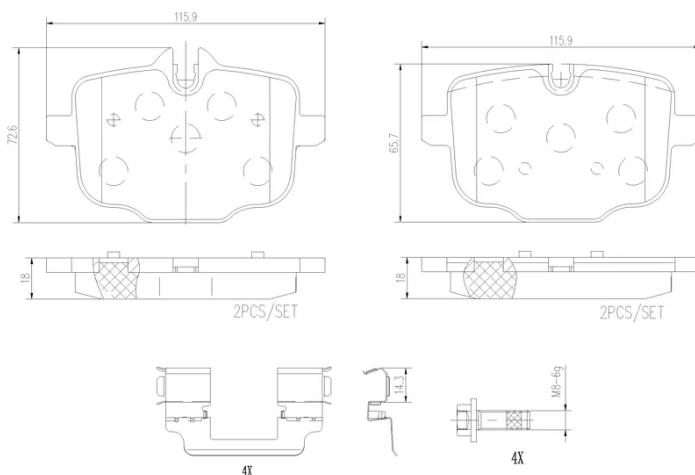
Brembo NAO brake pads stand out for their ultimate braking comfort, reduced friction wear and low dust mission, which makes for cleaner rims and reduced maintenance requirements. The advanced friction material in keeping with the strictest environmental standards is the main distinguishing feature of NAO compounds.

- ✓ OE-equivalent
- ✓ Brembo quality
- ✓ Safety
- ✓ Comfort
- ✓ Durability
- ✓ Dust reduction
- ✓ With accessories



## Technical specifications

EAN code <b>8020584069707</b>	Axle <b>Rear</b>	Thickness <b>18 mm</b>
Width <b>116 mm</b>	Height <b>73 mm</b>	Braking system <b>TRW</b>
Wear indicator <b>Prepared for wear indicator</b>	WVA number <b>24704,25636</b>	Accessories <b>With accessories With anti-squeal shim With brake caliper bolts</b>



COMPATIBLE VEHICLES

## COMPATIBLE OE PART NUMBERS

34216867175	BMW
-------------	-----

---

34216870552	BMW
-------------	-----

---

34216890353	BMW
-------------	-----

---

34216896975	BMW
-------------	-----

---

34216896976	BMW
-------------	-----

---