

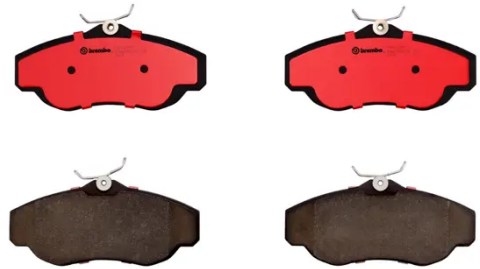


BRAKE PAD PRIME CERAMIC P44008N

The P44008N NAO brake pad is
synonymous with reliability



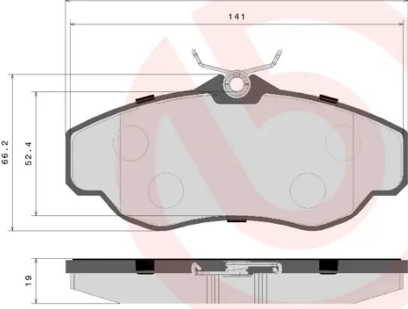
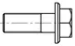
Brembo NAO brake pads stand out for their ultimate braking comfort, reduced friction wear and low dust mission, which makes for cleaner rims and reduced maintenance requirements. The advanced friction material in keeping with the strictest environmental standards is the main distinguishing feature of NAO compounds.

- ✓ OE-equivalent
- ✓ Brembo quality
- ✓ Safety
- ✓ Comfort
- ✓ Durability
- ✓ Dust reduction
- ✓ With accessories



Technical specifications

EAN code 8020584083666	Axle Front	Thickness 19 mm
Width 145 mm	Height 66 mm	Braking system Lucas
Wear indicator Without	WVA number 23452	Accessories With accessories With anti-squeal shim

	P44008N		407.E672.476.N
		<small>SCREW M8x1.25x21 05_E659.004 - X2</small> 	
<small>WVA: 23452 QTY: x4</small>			
<small>DATE : 06/12/2023 VERSION : 00</small>			

COMPATIBLE VEHICLES

COMPATIBLE OE PART NUMBERS

SFP100580 LAND ROVER

SFP100590 LAND ROVER

SFP500120 LAND ROVER

SFP500150 LAND ROVER

SFP000210 ROVER

SFP100460 ROVER

SFP100480 ROVER

STC1880 ROVER

STC3195 ROVER

STC3685 ROVER
