



BRAKE PAD PRIME CERAMIC P44009N

The P44009N NAO brake pad is synonymous with reliability

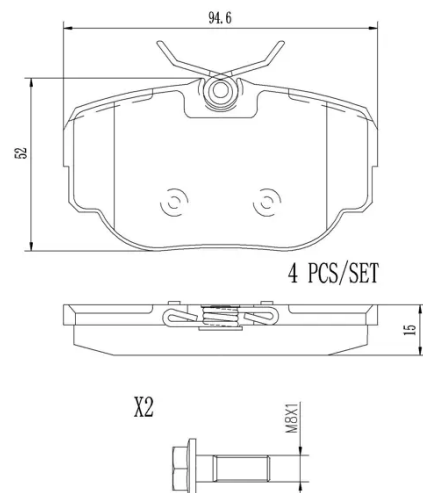
Brembo NAO brake pads stand out for their ultimate braking comfort, reduced friction wear and low dust mission, which makes for cleaner rims and reduced maintenance requirements. The advanced friction material in keeping with the strictest environmental standards is the main distinguishing feature of NAO compounds.

- ✓ OE-equivalent
- ✓ Brembo quality
- ✓ Safety
- ✓ Comfort
- ✓ Durability
- ✓ Dust reduction
- ✓ With accessories



Technical specifications

EAN code	Axle	Thickness
8020584088708	Rear	15 mm
Width	Height	Braking system
95 mm	52 mm	Lucas
Wear indicator	WVA number	Accessories
Without	23458	With accessories With anti-squeal shim With brake caliper bolts



COMPATIBLE VEHICLES

COMPATIBLE OE PART NUMBERS

SFP100470 LAND ROVER

SFP100490 LAND ROVER

SFP500130 LAND ROVER

STC1879 LAND ROVER

STC3684 LAND ROVER
