



BRAKE PAD PRIME CERAMIC P50038N

The P50038N NAO brake pad is synonymous with reliability

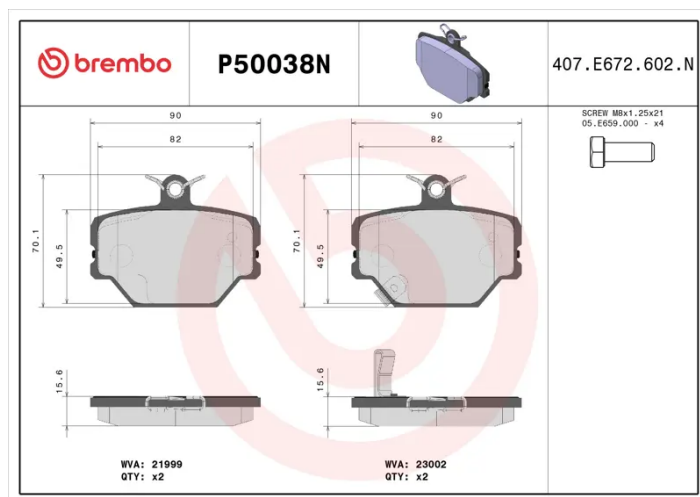
Brembo NAO brake pads stand out for their ultimate braking comfort, reduced friction wear and low dust mission, which makes for cleaner rims and reduced maintenance requirements. The advanced friction material in keeping with the strictest environmental standards is the main distinguishing feature of NAO compounds.

- ✓ OE-equivalent
- ✓ Brembo quality
- ✓ Safety
- ✓ Comfort
- ✓ Durability
- ✓ Dust reduction
- ✓ With accessories



Technical specifications

EAN code 8020584080405	Axle Front	Thickness 16 mm
Width 90 mm	Height 70 mm	Braking system Bosch
Wear indicator Acoustic	WVA number 21999,23002	Accessories With anti-squeal shim



COMPATIBLE VEHICLES

COMPATIBLE OE PART NUMBERS

0001431V0030000 CHRYSLER

0004200505 MERCEDES-BENZ

4514210010 MERCEDES-BENZ

A0004200505 MERCEDES-BENZ

A4514210010 MERCEDES-BENZ

0001431V002000000 SMART

0001431V003000000 SMART

0001431V004000000 SMART

4200505 SMART

4514210010 SMART

4514210110 SMART

4514210210 SMART

451421021064 SMART

A4514210010 SMART

A4514210110 SMART

A4514210210 SMART

C0001431V002 SMART

C0001431V002000000 SMART

Q0001431V004000000 SMART
