



BRAKE PAD PRIME CERAMIC P56081N

The P56081N NAO brake pad is synonymous with reliability

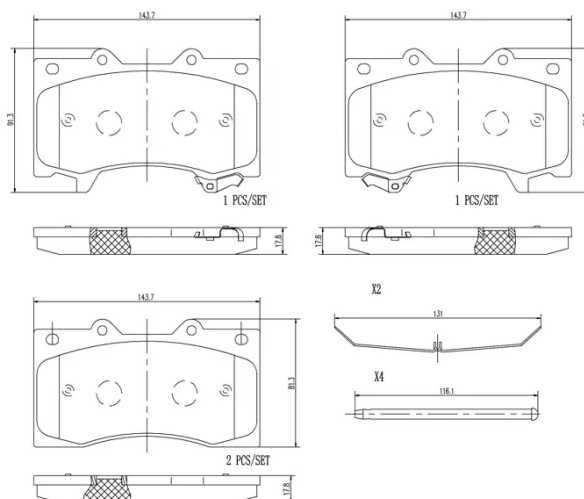
Brembo NAO brake pads stand out for their ultimate braking comfort, reduced friction wear and low dust mission, which makes for cleaner rims and reduced maintenance requirements. The advanced friction material in keeping with the strictest environmental standards is the main distinguishing feature of NAO compounds.

- ✓ OE-equivalent
- ✓ Brembo quality
- ✓ Safety
- ✓ Comfort
- ✓ Durability
- ✓ Dust reduction
- ✓ With accessories



Technical specifications

EAN code 8020584089170	Axle Front	Thickness 18 mm
Width 144 mm	Height 91 mm	Braking system Akebono
Wear indicator Acoustic	WVA number 25240,25241,25242	Accessories With accessories With anti-squeal shim With brake caliper bolts



COMPATIBLE VEHICLES

COMPATIBLE OE PART NUMBERS

D10601LB1A	INFINITI
------------	----------

D10601LB0A	NISSAN
------------	--------

D10601LB2A	NISSAN
------------	--------

D10601LB2B	NISSAN
------------	--------

D10606JF0A	NISSAN
------------	--------