



BRAKE PAD PRIME CERAMIC P85064N

The P85064N NAO brake pad is synonymous with reliability

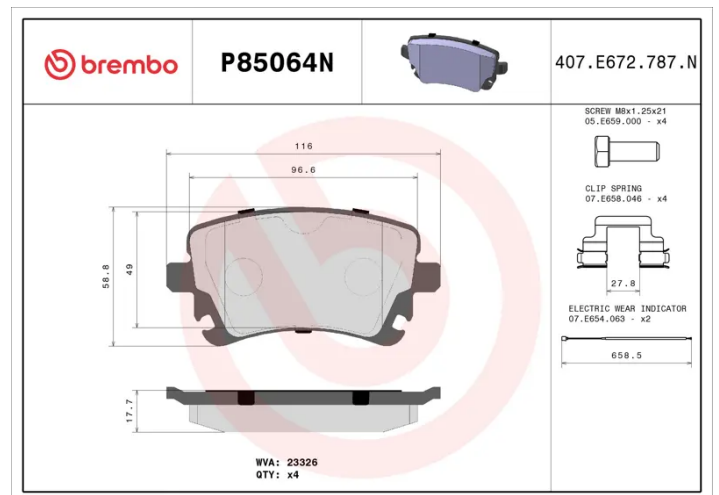
Brembo NAO brake pads stand out for their ultimate braking comfort, reduced friction wear and low dust mission, which makes for cleaner rims and reduced maintenance requirements. The advanced friction material in keeping with the strictest environmental standards is the main distinguishing feature of NAO compounds.

- ✓ OE-equivalent
- ✓ Brembo quality
- ✓ Safety
- ✓ Comfort
- ✓ Durability
- ✓ Dust reduction
- ✓ With accessories



Technical specifications

EAN code 8020584089996	Axle Rear	Thickness 18 mm
Width 116 mm	Height 59 mm	Braking system Lucas
Wear indicator Electric	WVA number 23326	Accessories With accessories With anti-squeal shim With brake caliper bolts



COMPATIBLE VEHICLES

COMPATIBLE OE PART NUMBERS

3D0698451	AUDI
-----------	------

3D0698451A	AUDI
------------	------

3D0698451	SEAT
-----------	------

3D0698451A	SEAT
------------	------

3D0698451	SKODA
-----------	-------

3D0698451A	SKODA
------------	-------

3D0698451	VW
-----------	----

3D0698451A	VW
------------	----

4F0698451K	VW
------------	----