



BRAKE PAD

P 36 018

The P 36 018 brake pad is synonymous with reliability

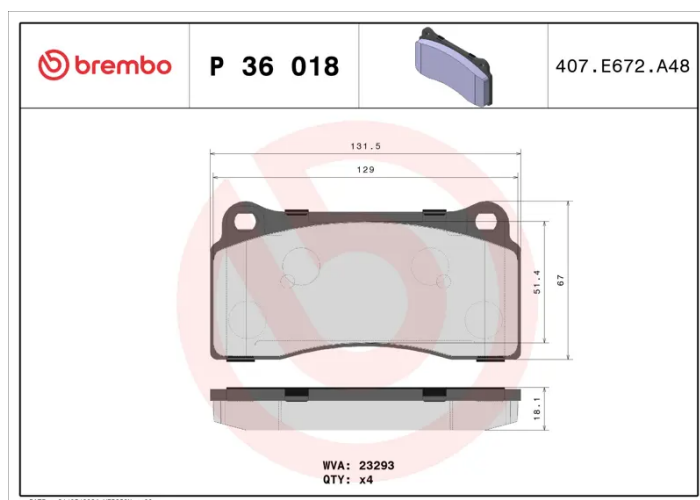
The Brembo brake pad guarantees ultimate safety when braking thanks to the use of more than 100 different compounds, designed according to the type of vehicle and use. Stopping distances reduced to a minimum, maximum driving comfort and silent operation are the most important features of Brembo materials. Brembo brake pads are supplied together with an extensive range of accessories and assembly kits for professional-standard installation.

- ✓ OE-equivalent
- ✓ Brembo quality
- ✓ ECE-R90 certificate
- ✓ Safety
- ✓ Performance
- ✓ Comfort



Technical specifications

EAN code 8020584060841	Axle Front and rear	Thickness 18 mm
Width 132 mm	Height 67 mm	Braking system Brembo
Wear indicator Without	WVA number 23293	Accessories With anti-squeal shim



COMPATIBLE VEHICLES

COMPATIBLE OE PART NUMBERS

2886280PK	ASTON MARTIN
-----------	--------------

JLM21280	DAIMLER
----------	---------

MXD1550AA	DAIMLER
-----------	---------

02MXD1550AB	JAGUAR
-------------	--------

JLM21280	JAGUAR
----------	--------

MXD1550AA	JAGUAR
-----------	--------

MXD1550AB	JAGUAR
-----------	--------

D4060JF20C	NISSAN
------------	--------