



BRAKE PAD

P 50 131

The P 50 131 brake pad is synonymous with reliability

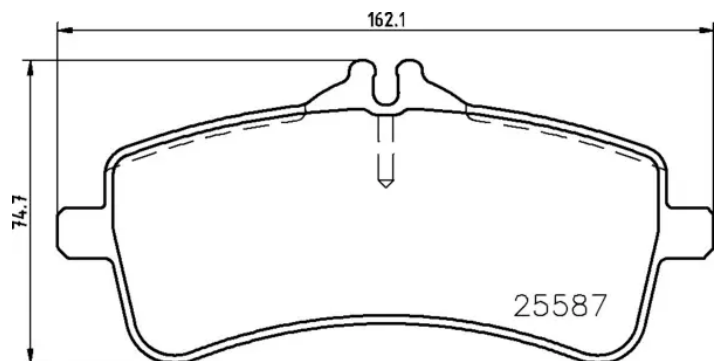
The Brembo brake pad guarantees ultimate safety when braking thanks to the use of more than 100 different compounds, designed according to the type of vehicle and use. Stopping distances reduced to a minimum, maximum driving comfort and silent operation are the most important features of Brembo materials. Brembo brake pads are supplied together with an extensive range of accessories and assembly kits for professional-standard installation.

- ✓ OE-equivalent
- ✓ Brembo quality
- ✓ ECE-R90 certificate
- ✓ Safety
- ✓ Performance
- ✓ Comfort
- ✓ With accessories



Technical specifications

EAN code 8020584115091	Axle Rear	Thickness 19 mm
Width 162 mm	Height 75 mm	Braking system TRW
Wear indicator Prepared for wear indicator	WVA number 25587	Accessories With accessories With anti-squeal shim With brake caliper bolts



COMPATIBLE VEHICLES

COMPATIBLE OE PART NUMBERS

0004203800	MERCEDES-BENZ
------------	---------------

0004203820	MERCEDES-BENZ
------------	---------------

0074204220	MERCEDES-BENZ
------------	---------------

A0004203800	MERCEDES-BENZ
-------------	---------------

A0004203820	MERCEDES-BENZ
-------------	---------------

A0074204220	MERCEDES-BENZ
-------------	---------------
