



SA BRAKE PAD 07KA28SA

The 07KA28SA brake pad is synonymous with reliability

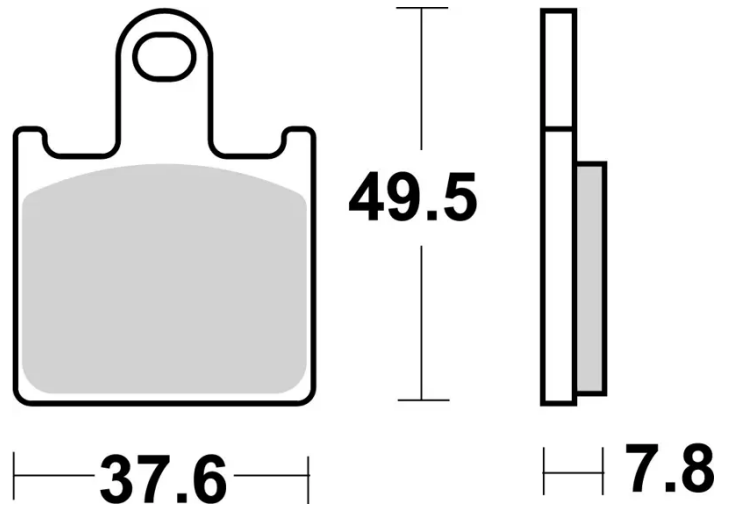
Sintered compound, specific for front application, characterised by excellent efficiency in all conditions of use. It is the ideal alternative to original pads. This compound is characterised by low wear which guarantees long life and suitable mileage.

- ✓ OE-equivalent
- ✓ Brembo quality
- ✓ ECE-R90 certificate
- ✓ Safety
- ✓ Performance
- ✓ Comfort



Technical specifications

Width mm	Height 49,5 mm	Thickness 7,8 mm
Compound Sinter	Units per box 4	



COMPATIBLE VEHICLES