



# BRAKE DISC

## 09.5252.10

The **09.5252.10** brake disc is synonymous with reliability

The Brembo brake disc is fully interchangeable with an Original Equipment brake disc. The control of the entire production cycle allows Brembo to offer brake discs with outstanding performance levels, reliability, durability and comfort in all conditions of use. All Brembo brake discs are accompanied by the ECE-R90 homologation.

- ✓ OE-equivalent
- ✓ Brembo quality
- ✓ ECE-R90 certificate
- ✓ Safety



### Technical specifications



EAN code  
**8020584525210**

Axle  
**Front**

Diameter Ø  
**264** mm

Thickness (TH)  
**24** mm

Height (A)  
**47** mm

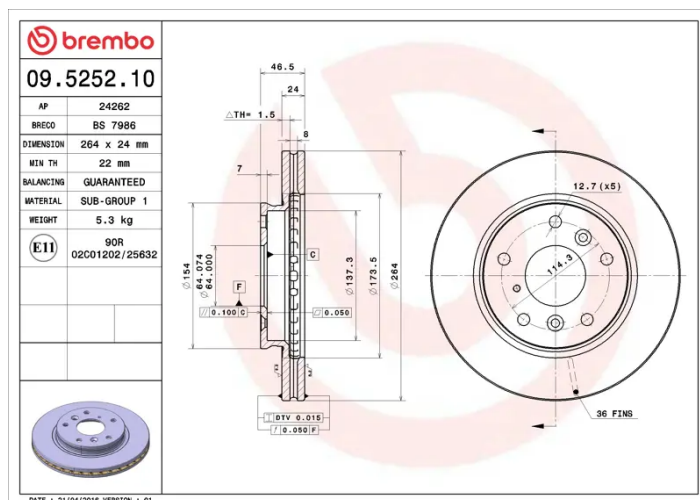
Number of holes (C)  
**5**

Brake disc type  
**Ventilated**

Centering (B)  
**64** mm

Min. thickness  
**22** mm

Tightening torque  
**100** Nm



COMPATIBLE VEHICLES

## COMPATIBLE OE PART NUMBERS

T113501075	CHERY
------------	-------

E92Z1125A	FORD
-----------	------

E92Z1125A	FORD USA
-----------	----------

D92Z1125A	MAZDA
-----------	-------

GJ253325X	MAZDA
-----------	-------

GJ253325XA	MAZDA
------------	-------

GJ253325XB	MAZDA
------------	-------

GJ253325XC	MAZDA
------------	-------

GJ253325XD	MAZDA
------------	-------

GJ553325X	MAZDA
-----------	-------

GJ553325XA	MAZDA
------------	-------

GJ553325XB	MAZDA
------------	-------

GJ553325XC	MAZDA
------------	-------

GJ553325XD	MAZDA
------------	-------