



# BRAKE DISC

## 09.5254.10

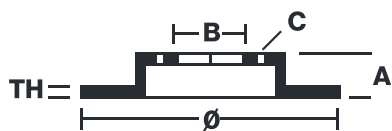
The **09.5254.10** brake disc is synonymous with reliability

The Brembo brake disc is fully interchangeable with an Original Equipment brake disc. The control of the entire production cycle allows Brembo to offer brake discs with outstanding performance levels, reliability, durability and comfort in all conditions of use. All Brembo brake discs are accompanied by the ECE-R90 homologation.

- ✓ OE-equivalent
- ✓ Brembo quality
- ✓ ECE-R90 certificate
- ✓ Safety



### Technical specifications



EAN code  
**8020584525418**

Axle  
**Front**

Diameter Ø  
**280** mm

Thickness (TH)  
**22** mm

Height (A)  
**49** mm

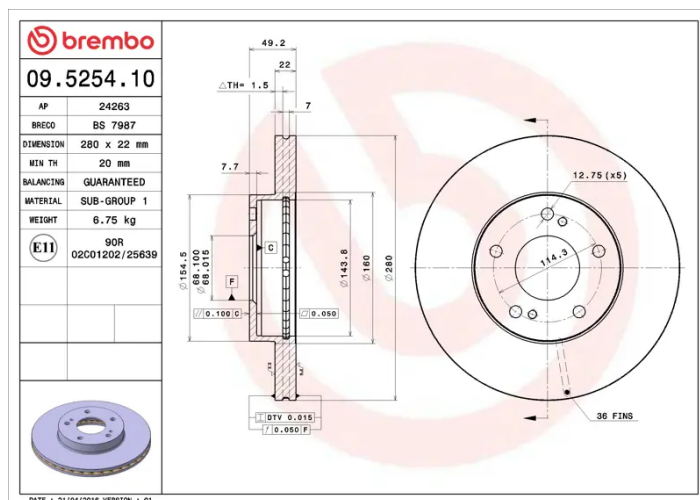
Number of holes (C)  
**5**

Brake disc type  
**Ventilated**

Centering (B)  
**68** mm

Min. thickness  
**20** mm

Tightening torque  
**110** Nm



COMPATIBLE VEHICLES

## COMPATIBLE OE PART NUMBERS

402062L903	INFINITI
------------	----------

402062Y003	INFINITI
------------	----------

4020688E01	INFINITI
------------	----------

4020688E05	INFINITI
------------	----------

402062L900	NISSAN
------------	--------

402062L903	NISSAN
------------	--------

402062Y002	NISSAN
------------	--------

402062Y003	NISSAN
------------	--------

4020685F00	NISSAN
------------	--------

40206880	NISSAN
----------	--------

4020688000	NISSAN
------------	--------

40206880000	NISSAN
-------------	--------

402068800000	NISSAN
--------------	--------

4020688E01	NISSAN
------------	--------

4020688E03	NISSAN
------------	--------

4020688E04	NISSAN
------------	--------

4020688E05	NISSAN
------------	--------

40206WA001	NISSAN
------------	--------