



# BRAKE DISC PAINTED

## 09.7010.21

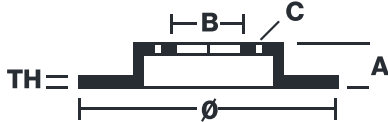
The 09.7010.21 painted brake disc is synonymous with reliability

The Brembo brake disc with special UV paint treatment guarantees superior corrosion resistance for the product, thanks to the protective coating on the outer edges and on the disc hub. The UV paint not only gives the disc a clean, shiny appearance but is also beneficial for the environment as the water-based UV paint treatment does not require the use of chemical solvents and is a low energy consumption process.



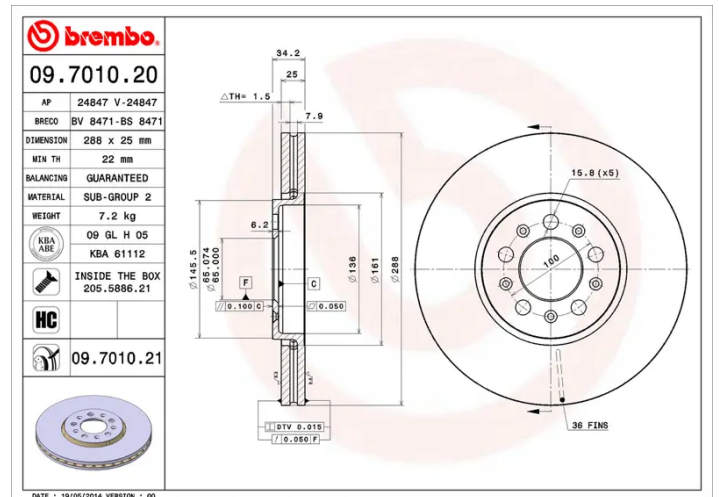
- ✓ OE-equivalent
- ✓ Brembo quality
- ✓ ECE-R90 certificate
- ✓ Safety
- ✓ High carbon
- ✓ Anti-corrosion
- ✓ Fastening screws

### Technical specifications



EAN code <b>8020584024225</b>	Axle <b>Front</b>	Diameter $\varnothing$ <b>288 mm</b>
Thickness (TH) <b>25 mm</b>	Height (A) <b>34 mm</b>	Number of holes (C) <b>5</b>
Brake disc type <b>Ventilated</b>	Centering (B) <b>65 mm</b>	Min. thickness <b>22 mm</b>

Tightening torque  
**120 Nm**



**COMPATIBLE VEHICLES**

## COMPATIBLE OE PART NUMBERS

1J0615301	AUDI
1J0615301C	AUDI
1J0615301K	AUDI
1J0615301R	AUDI
1J0615301S	AUDI
6R0615301A	AUDI
6R0615301D	AUDI
1J0615301	SEAT
1J0615301C	SEAT
1J0615301K	SEAT
1J0615301R	SEAT
1J0615301S	SEAT
6R0615301A	SEAT
6R0615301D	SEAT
JZW615301D	SEAT
1J0615301	SKODA
1J0615301C	SKODA
1J0615301K	SKODA
1J0615301R	SKODA
1J0615301S	SKODA
6R0615301A	SKODA
6R0615301D	SKODA
JZW615301D	SKODA
18A615301	SKODA (SVW)
18A615301A	SKODA (SVW)
6RD615301A	SKODA (SVW)
1J0615301C	VW
1J0615301K	VW
1J0615301R	VW
1J0615301S	VW
6R0615301A	VW
6R0615301D	VW
JZW615301D	VW
1J0615301R	VW (FAW)
1J0615301S	VW (FAW)
6R0615301A	VW (FAW)
6R0615301D	VW (FAW)
L6RD615301A	VW (FAW)
18A615301	VW (SVW)
6R0615301A	VW (SVW)
6R0615301D	VW (SVW)
6RD615301A	VW (SVW)