

## Disc technical data

**Axle** Front

**Diameter**  
254 mm

**Overall height (A)**  
39 mm

**Centring diameter (B)**  
87 mm

**Number of holes (C)**  
5

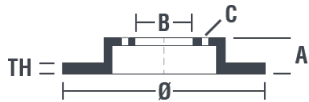
**Thickness (TH)**  
24 mm

**Minimum thickness**  
22,4 mm

**Tightening torque**   
98 Nm

**Unit per box**  
2

**EANCode**  
8020584914915

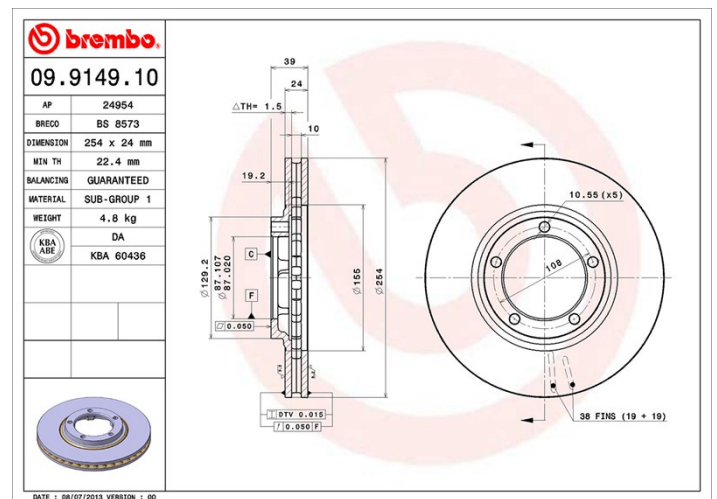


## Brand part numbers

**Brembo**  
09.9149.10

**AP**  
24954

**Breco**  
BS 8573



## Technical specifications

## Compatible vehicles

### MITSUBISHI

Model	Type	kW/CV	Year
L 300 III Platform/Chassis (P1_T )	2.0 (P13T)	85/116	07/94 04/00
L 300 III Platform/Chassis (P1_T )	2.5 TD (P15T)	64/87	11/94 04/00
L 400 Box (PD_W, PC_W, PB_V, PA_W, PA_V)	1.6	51/69	06/96 10/02
L 400 Box (PD_W, PC_W, PB_V, PA_W, PA_V)	2.0	85/116	06/96 03/01
L 400 Box (PD_W, PC_W, PB_V, PA_W, PA_V)	2.0 (PA3W)	83/113	12/94 10/02
L 400 Box (PD_W, PC_W, PB_V, PA_W, PA_V)	2.4	97/132	06/96 02/06
L 400 Box (PD_W, PC_W, PB_V, PA_W, PA_V)	2500 TD (PD5W, PD5V, PA5W, PA5V)	64/87	09/96 06/05
L 400 Bus (PD_W, PC_W, PA_V, PB_V, PA_W)	2.0 (PA3W)	83/113	09/95 10/02
L 400 Bus (PD_W, PC_W, PA_V, PB_V, PA_W)	2.0 16V (PA3V/W, PB3V, PA3W)	85/115	05/95 05/00

L 400 Bus (PD_W, PC_W, PA_V, PB_V, PA_W)	2.4	97/132	05/95 10/02
L 400 Bus (PD_W, PC_W, PA_V, PB_V, PA_W)	2.4	94/128	09/96 06/05
L 400 Bus (PD_W, PC_W, PA_V, PB_V, PA_W)	2.4 i 4WD (PD4V/W)	97/132	05/95 05/00
L 400 Bus (PD_W, PC_W, PA_V, PB_V, PA_W)	2.5 TD (PA5V/W, PB5V)	73/99	05/95 05/00
L 400 Bus (PD_W, PC_W, PA_V, PB_V, PA_W)	2.5 TD 4WD (PD5V/W)	73/99	05/95 05/00
L 400 Bus (PD_W, PC_W, PA_V, PB_V, PA_W)	2500 TD	64/87	05/95 06/05

## OE Part number

### Compatible OE codes

mitsubishi

MB895464