



BRAKE DISC

09.9464.14

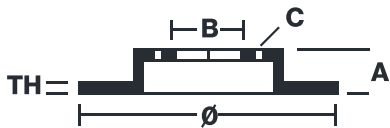
The **09.9464.14** brake disc is synonymous with reliability

The Brembo brake disc is fully interchangeable with an Original Equipment brake disc. The control of the entire production cycle allows Brembo to offer brake discs with outstanding performance levels, reliability, durability and comfort in all conditions of use. All Brembo brake discs are accompanied by the ECE-R90 homologation.

- ✓ OE-equivalent
- ✓ Brembo quality
- ✓ ECE-R90 certificate
- ✓ Safety
- ✓ High carbon



Technical specifications



EAN code
8020584946411

Axle
Front

Diameter Ø
278 mm

Thickness (TH)
25 mm

Height (A)
49 mm

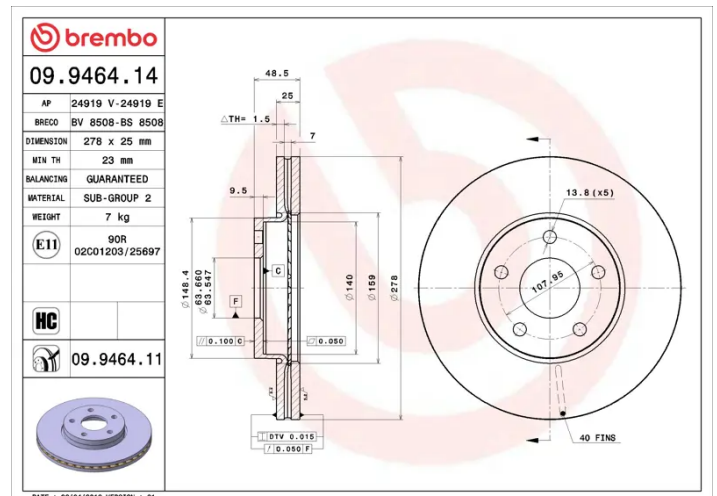
Number of holes (C)
5

Brake disc type
Ventilated

Centering (B)
64 mm

Min. thickness
23 mm

Tightening torque
100 Nm



COMPATIBLE VEHICLES

COMPATIBLE OE PART NUMBERS

1223663	FORD
1223665	FORD
1253729	FORD
1253730	FORD
1320352	FORD
1373369	FORD
1469082	FORD
1501058	FORD
1501069	FORD
1575734	FORD
1734696	FORD
3M512C375A1D	FORD
3M512C375AA	FORD
3M512C375AB	FORD
3M512C375AC	FORD
3M512C375AD	FORD
7M511125FA	FORD
AV611125BA	FORD
AV611125BB	FORD
1364548	FORD (CHANGAN)
1771580	FORD (CHANGAN)
6M512C375AA	FORD (CHANGAN)
6M512C375AB	FORD (CHANGAN)
ED8C1125AA	FORD (CHANGAN)
ED8C1125AB	FORD (CHANGAN)
ED8C1125AC	FORD (CHANGAN)
JD8C1125AA	FORD (CHANGAN)
6M512C375AA	MAZDA (CHANGAN)
274509	VOLVO
2745090	VOLVO
31262718	VOLVO
31262718	VOLVO (CHANGAN)