



# BRAKE PAD PRIME CERAMIC P16011N

The P16011N NAO brake pad is synonymous with reliability

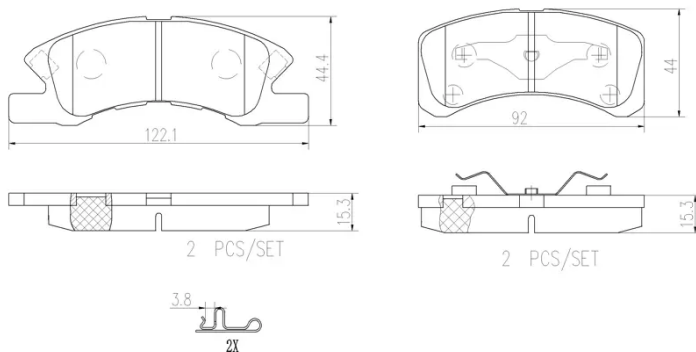
Brembo NAO brake pads stand out for their ultimate braking comfort, reduced friction wear and low dust mission, which makes for cleaner rims and reduced maintenance requirements. The advanced friction material in keeping with the strictest environmental standards is the main distinguishing feature of NAO compounds.

- ✓ OE-equivalent
- ✓ Brembo quality
- ✓ Safety
- ✓ Comfort
- ✓ Durability
- ✓ Dust reduction
- ✓ With accessories



## Technical specifications

EAN code <b>8020584085158</b>	Axle <b>Front</b>	Thickness <b>15 mm</b>
Width <b>92 mm</b>	Height <b>44 mm</b>	Braking system <b>Akebono</b>
Wear indicator <b>Acoustic</b>	WVA number <b>24229,24230</b>	Accessories <b>With anti-squeal shim</b>



COMPATIBLE VEHICLES

## COMPATIBLE OE PART NUMBERS

04465B2010	DAIHATSU
04465B2030	DAIHATSU
04465B2040	DAIHATSU
04465B2100	DAIHATSU
04465B2150	DAIHATSU
0449197203	DAIHATSU
0449197203000	DAIHATSU
0449197206	DAIHATSU
0449197206000	DAIHATSU
0449197209000	DAIHATSU
0449197211000	DAIHATSU
0449197214	DAIHATSU
0449197214000	DAIHATSU
0449197218000	DAIHATSU
04491BZ011	DAIHATSU
4605A272	MITSUBISHI
4605B005	MITSUBISHI
4605B006	MITSUBISHI
4605B281	MITSUBISHI
4605B438	MITSUBISHI
4605B530	MITSUBISHI
MN113093	MITSUBISHI
MR475902	MITSUBISHI
MR527128	MITSUBISHI
MZ690139	MITSUBISHI
MZ690180	MITSUBISHI
410606A00A	NISSAN
410606A0A1	NISSAN
AY040KE119	NISSAN
04465BZ120	PERODUA
04465B2100	SUBARU
04465B2150	SUBARU
04465B2150	TOYOTA
04465B2180	TOYOTA
04491BZ010	TOYOTA