

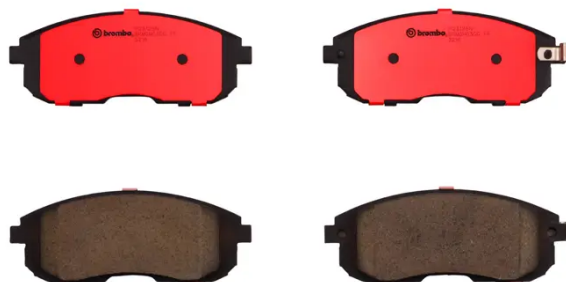


# BRAKE PAD PRIME CERAMIC P23126N

The P23126N NAO brake pad is synonymous with reliability

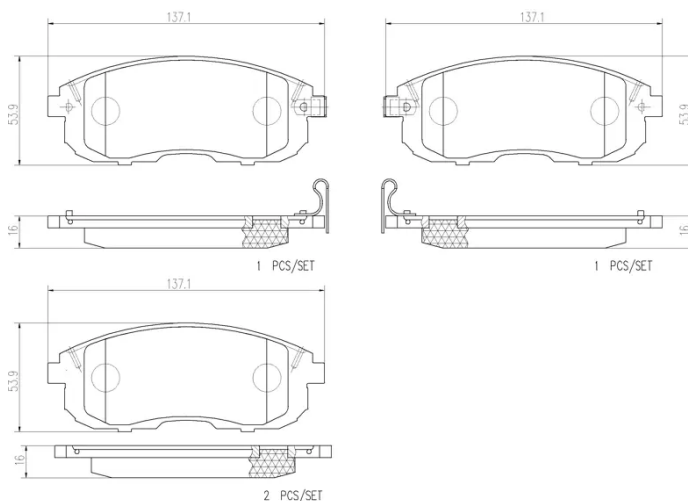
Brembo NAO brake pads stand out for their ultimate braking comfort, reduced friction wear and low dust mission, which makes for cleaner rims and reduced maintenance requirements. The advanced friction material in keeping with the strictest environmental standards is the main distinguishing feature of NAO compounds.

- ✓ OE-equivalent
- ✓ Brembo quality
- ✓ Safety
- ✓ Comfort
- ✓ Durability
- ✓ Dust reduction
- ✓ With accessories



## Technical specifications

EAN code <b>8020584086261</b>	Axle <b>Front</b>	Thickness <b>16 mm</b>
Width <b>137 mm</b>	Height <b>54 mm</b>	Braking system <b>Hitachi</b>
Wear indicator <b>Acoustic</b>	WVA number <b>24280,24281,24282</b>	Accessories <b>With anti-squeal shim</b>



## COMPATIBLE OE PART NUMBERS

41060AU091 NISSAN

---

AY040NS101 NISSAN

---

AY040NS102 NISSAN

---

AY040NS106 NISSAN

---

AY040NS115 NISSAN

---

AY040NS155 NISSAN

---

410614DW0A NISSAN (DFAC)

---

D10604DW0A NISSAN (DFAC)

---

5581080J01 SUZUKI

---

5581080J02 SUZUKI

---

5581080J03 SUZUKI

---

5581080J04 SUZUKI

---

5581080J04000 SUZUKI

---

5581080J50 SUZUKI

---

5581080J51 SUZUKI

---

5581080J51000 SUZUKI

---

5581080J51L00 SUZUKI

---

5581080J52 SUZUKI

---

55810M76T00 SUZUKI

---