



# BRAKE PAD PRIME CERAMIC P24205N

The P24205N NAO brake pad is synonymous with reliability

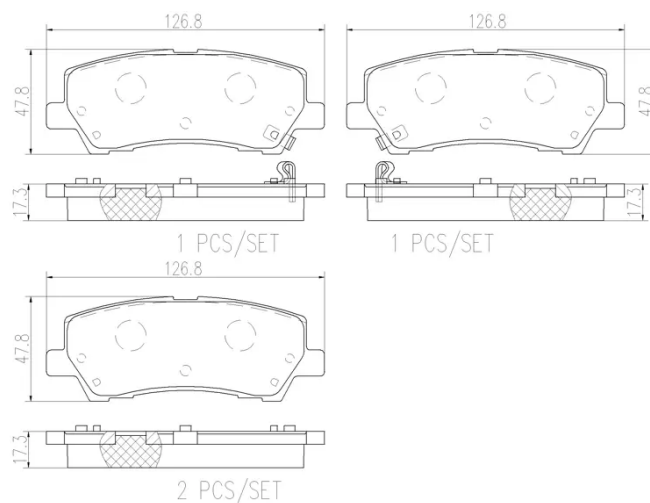
Brembo NAO brake pads stand out for their ultimate braking comfort, reduced friction wear and low dust mission, which makes for cleaner rims and reduced maintenance requirements. The advanced friction material in keeping with the strictest environmental standards is the main distinguishing feature of NAO compounds.

- ✓ OE-equivalent
- ✓ Brembo quality
- ✓ Safety
- ✓ Comfort
- ✓ Durability
- ✓ Dust reduction
- ✓ With accessories



## Technical specifications

EAN code <b>8020584114759</b>	Axle <b>Rear</b>	Thickness <b>17 mm</b>
Width <b>127 mm</b>	Height <b>48 mm</b>	Braking system <b>Akebono</b>
Wear indicator <b>Acoustic</b>	WVA number <b>22110,22111,22112</b>	Accessories <b>With anti-squeal shim</b>



COMPATIBLE VEHICLES

## COMPATIBLE OE PART NUMBERS

FR3Z2200J	FORD
2111330	FORD ASIA & OCEANIA
2310233	FORD ASIA & OCEANIA
5280067	FORD ASIA & OCEANIA
5280703	FORD ASIA & OCEANIA
5325397	FORD ASIA & OCEANIA
5333267	FORD ASIA & OCEANIA
FR3C2M008CC	FORD ASIA & OCEANIA
FR3C2M008CD	FORD ASIA & OCEANIA
FR3C2M008CE	FORD ASIA & OCEANIA
FR3C2M008CF	FORD ASIA & OCEANIA
GR3C2M008DB	FORD ASIA & OCEANIA
2043641	FORD USA
2111330	FORD USA
2310233	FORD USA
5280066	FORD USA
5280067	FORD USA
5280703	FORD USA
5281018	FORD USA
5325397	FORD USA
5333267	FORD USA
FR3C2M008CC	FORD USA
FR3C2M008CD	FORD USA
FR3C2M008CE	FORD USA
FR3C2M008CF	FORD USA
FR3Z2200A	FORD USA
FR3Z2200D	FORD USA
FR3Z2200F	FORD USA
FR3Z2200H	FORD USA
FR3Z2200K	FORD USA
GR3C2M008DA	FORD USA
GR3C2M008DB	FORD USA
GR3C2M008DC	FORD USA