



BRAKE PAD PRIME CERAMIC P28020N

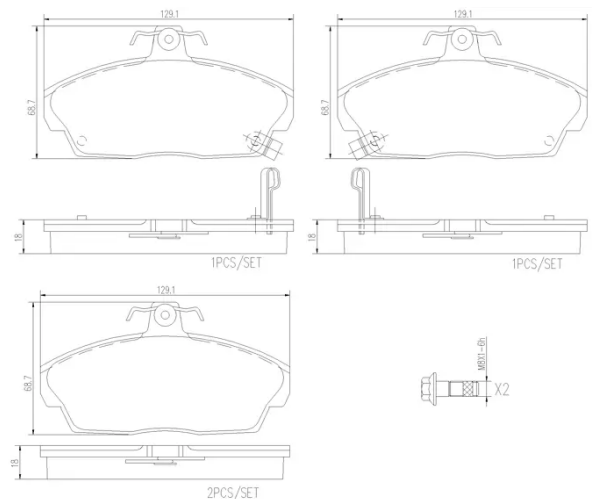
The P28020N NAO brake pad is synonymous with reliability

Brembo NAO brake pads stand out for their ultimate braking comfort, reduced friction wear and low dust mission, which makes for cleaner rims and reduced maintenance requirements. The advanced friction material in keeping with the strictest environmental standards is the main distinguishing feature of NAO compounds.

- ✓ OE-equivalent
- ✓ Brembo quality
- ✓ Safety
- ✓ Comfort
- ✓ Durability
- ✓ Dust reduction
- ✓ With accessories

Technical specifications

EAN code 8020584116975	Axle Front	Thickness 18 mm
Width 129 mm	Height 69 mm	Braking system TRW
Wear indicator Acoustic	WVA number 21516,21515,21517	Accessories With anti-squeal shim With brake caliper bolts With accessories



COMPATIBLE VEHICLES

COMPATIBLE OE PART NUMBERS

45022S6DE01 HONDA

45022S6DE50 HONDA

45022S6DE51 HONDA

45022S74E10 HONDA

45022S74E50 HONDA

45022SK3E00 HONDA

45022ST3E00 HONDA

45022ST3E01 HONDA

45022ST3E10 HONDA

45022ST3E11 HONDA

45022ST3E30 HONDA

GBP90313 MG

GBP90325 MG

SFP000390 MG

SFP000410 MG

GBP90313 ROVER

GBP90315 ROVER

GBP90315AF ROVER

GBP90324 ROVER

GBP90324AF ROVER

GBP90325AF ROVER

GBP90336 ROVER

GBP90336AF ROVER

GBP90340 ROVER

GBP90340AF ROVER

SEB000290 ROVER

SFP000390 ROVER

SFP000410 ROVER

SFP100180EVA ROVER

SFP100190EVA ROVER

SFP100260 ROVER