



BRAKE PAD PRIME CERAMIC P49020N

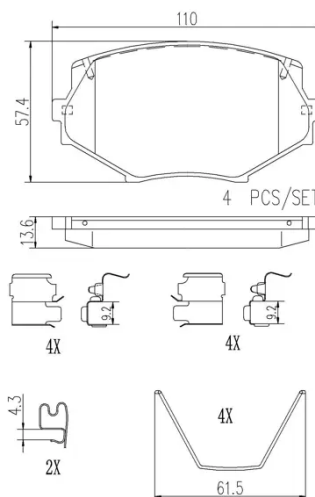
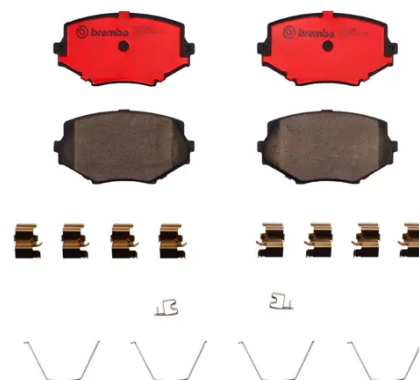
The P49020N NAO brake pad is synonymous with reliability

Brembo NAO brake pads stand out for their ultimate braking comfort, reduced friction wear and low dust mission, which makes for cleaner rims and reduced maintenance requirements. The advanced friction material in keeping with the strictest environmental standards is the main distinguishing feature of NAO compounds.

- ✓ OE-equivalent
- ✓ Brembo quality
- ✓ Safety
- ✓ Comfort
- ✓ Durability
- ✓ Dust reduction
- ✓ With accessories

Technical specifications

EAN code 8020584083093	Axle Front	Thickness 13 mm
Width 110 mm	Height 57 mm	Braking system Sumitomo
Wear indicator Acoustic	WVA number 23354	Accessories With anti-squeal shim



COMPATIBLE VEHICLES

COMPATIBLE OE PART NUMBERS

1U163328Z MAZDA

N0Y33323Z MAZDA

N0Y33328Z MAZDA

NAY533232 MAZDA

NAY53323Z MAZDA

NAY53323ZA MAZDA

NAY53323ZB MAZDA

NAY53328Z MAZDA

NAY53328ZB MAZDA

NCY03323Z MAZDA

NCY03328Z MAZDA

NCY13323Z MAZDA

NCY13323ZA9C MAZDA

NCY13328Z MAZDA

NCY13328Z9C MAZDA

NCY53323Z MAZDA

NCY53328Z MAZDA

NAY53323ZC MITSUBISHI

NAY53328ZA MITSUBISHI

NCY13323Z9C MITSUBISHI

AY040MA014 NISSAN
