



# BRAKE PAD PRIME CERAMIC P50058N

The P50058N NAO brake pad is synonymous with reliability

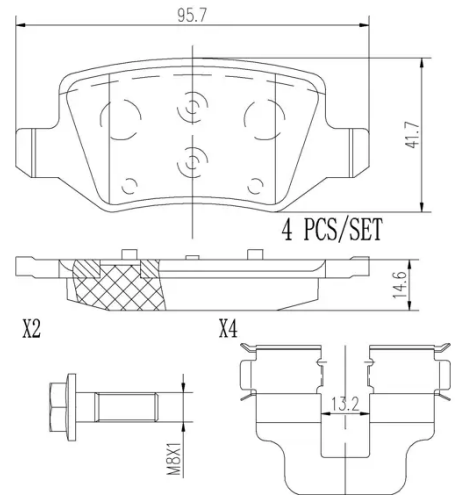
Brembo NAO brake pads stand out for their ultimate braking comfort, reduced friction wear and low dust mission, which makes for cleaner rims and reduced maintenance requirements. The advanced friction material in keeping with the strictest environmental standards is the main distinguishing feature of NAO compounds.

- ✓ OE-equivalent
- ✓ Brembo quality
- ✓ Safety
- ✓ Comfort
- ✓ Durability
- ✓ Dust reduction
- ✓ With accessories



## Technical specifications

EAN code <b>8020584088913</b>	Axle <b>Rear</b>	Thickness <b>15 mm</b>
Width <b>96 mm</b>	Height <b>42 mm</b>	Braking system <b>Lucas</b>
Wear indicator <b>Without</b>	WVA number <b>23138</b>	Accessories <b>With accessories</b> <b>With anti-squeal shim</b> <b>With brake caliper bolts</b>



**COMPATIBLE VEHICLES**

## COMPATIBLE OE PART NUMBERS

1684200420	MERCEDES-BENZ
------------	---------------

---

4144200120	MERCEDES-BENZ
------------	---------------

---

A1684200420	MERCEDES-BENZ
-------------	---------------

---

A4144200120	MERCEDES-BENZ
-------------	---------------

---