



BRAKE PAD PRIME CERAMIC P50133N

The P50133N NAO brake pad is synonymous with reliability

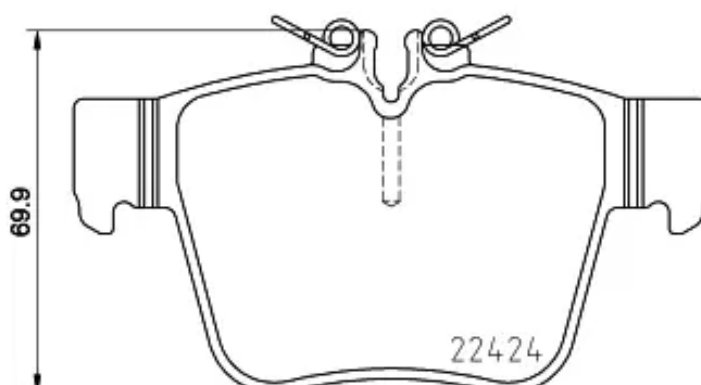
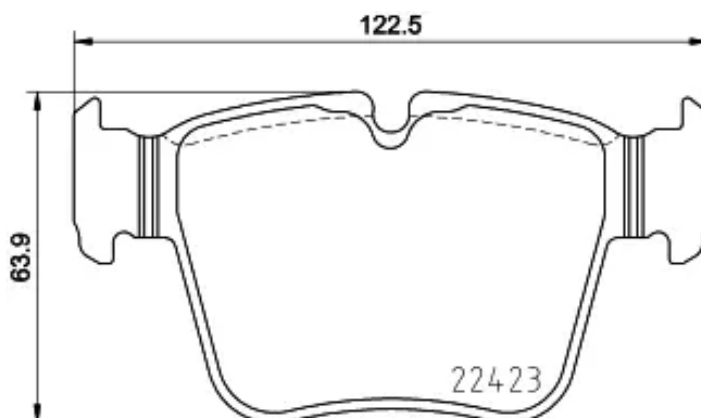
Brembo NAO brake pads stand out for their ultimate braking comfort, reduced friction wear and low dust mission, which makes for cleaner rims and reduced maintenance requirements. The advanced friction material in keeping with the strictest environmental standards is the main distinguishing feature of NAO compounds.

- ✓ OE-equivalent
- ✓ Brembo quality
- ✓ Safety
- ✓ Comfort
- ✓ Durability
- ✓ Dust reduction
- ✓ With accessories



Technical specifications

EAN code 8020584068298	Axle Rear	Thickness 16 mm
Width 122 mm	Height 70 mm	Braking system Teves
Wear indicator Without	WVA number 22423,22424	Accessories With anti-squeal shim



COMPATIBLE VEHICLES

COMPATIBLE OE PART NUMBERS

0004205200	MERCEDES-BENZ
0004205900	MERCEDES-BENZ
0004207803	MERCEDES-BENZ
0004208300	MERCEDES-BENZ
000420830028	MERCEDES-BENZ
0004208703	MERCEDES-BENZ
A0004205200	MERCEDES-BENZ
A0004205900	MERCEDES-BENZ
A0004207803	MERCEDES-BENZ
A0004208300	MERCEDES-BENZ
A0004208703	MERCEDES-BENZ