



BRAKE PAD PRIME CERAMIC P50149N

The P50149N NAO brake pad is
synonymous with reliability

Brembo NAO brake pads stand out for their ultimate braking comfort, reduced friction wear and low dust mission, which makes for cleaner rims and reduced maintenance requirements. The advanced friction material in keeping with the strictest environmental standards is the main distinguishing feature of NAO compounds.

- ✓ OE-equivalent
- ✓ Brembo quality
- ✓ Safety
- ✓ Comfort
- ✓ Durability
- ✓ Dust reduction
- ✓ With accessories

Technical specifications

EAN code
8020584119433

Axle
Front

Thickness
18 mm

Width
170 mm

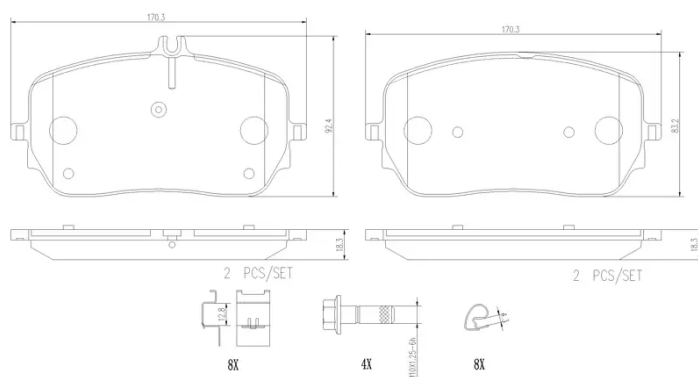
Height
83 mm

Braking system
CBI

Wear indicator
Prepared for wear indicator

WVA number
22962,22963

Accessories
**With accessories
With anti-squeal shim
With brake caliper bolts**



COMPATIBLE VEHICLES

COMPATIBLE OE PART NUMBERS

0004201003 MERCEDES-BENZ

0004201606 MERCEDES-BENZ

0004202006 MERCEDES-BENZ

0004203404 MERCEDES-BENZ

0004203702 MERCEDES-BENZ

0004203802 MERCEDES-BENZ

0004204702 MERCEDES-BENZ

0004206703 MERCEDES-BENZ

0004206803 MERCEDES-BENZ

0004206903 MERCEDES-BENZ

0004207003 MERCEDES-BENZ

0004207802 MERCEDES-BENZ

A0004201003 MERCEDES-BENZ

A0004201606 MERCEDES-BENZ

A0004202006 MERCEDES-BENZ

A0004203404 MERCEDES-BENZ

A0004203702 MERCEDES-BENZ

A0004203802 MERCEDES-BENZ

A0004204702 MERCEDES-BENZ

A0004206703 MERCEDES-BENZ

A0004206803 MERCEDES-BENZ

A0004207802 MERCEDES-BENZ
