



BRAKE PAD PRIME CERAMIC P50157N

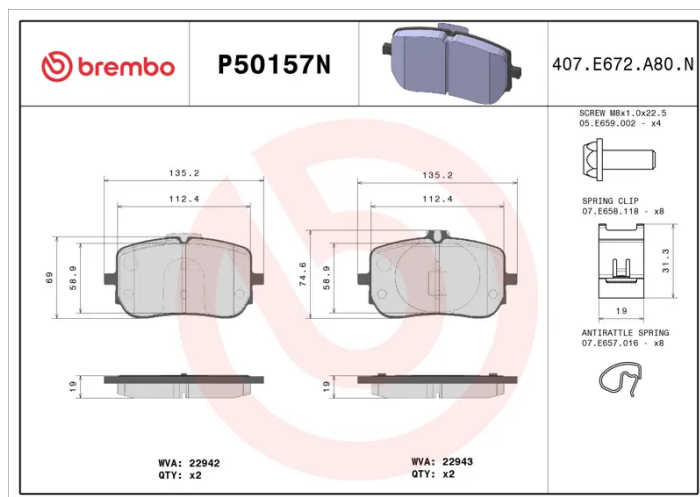
The P50157N NAO brake pad is synonymous with reliability

Brembo NAO brake pads stand out for their ultimate braking comfort, reduced friction wear and low dust mission, which makes for cleaner rims and reduced maintenance requirements. The advanced friction material in keeping with the strictest environmental standards is the main distinguishing feature of NAO compounds.

- ✓ OE-equivalent
- ✓ Brembo quality
- ✓ Safety
- ✓ Comfort
- ✓ Durability
- ✓ Dust reduction
- ✓ With accessories

Technical specifications

EAN code 8020584119518	Axle Front	Thickness 20 mm
Width 135 mm	Height 69 mm	Braking system CBI
Wear indicator Prepared for wear indicator	WVA number 22942,22943	Accessories With accessories With anti-squeal shim With brake caliper bolts



COMPATIBLE VEHICLES

COMPATIBLE OE PART NUMBERS

0004205303	MERCEDES-BENZ
0004205503	MERCEDES-BENZ
0004207100	MERCEDES-BENZ
0004207300	MERCEDES-BENZ
A0004205303	MERCEDES-BENZ
A0004207100	MERCEDES-BENZ
A0004207300	MERCEDES-BENZ
0004205303	MERCEDES-BENZ (BBDC)
A0004205303	MERCEDES-BENZ (BBDC)