



BRAKE PAD PRIME CERAMIC P59049N

The P59049N NAO brake pad is synonymous with reliability

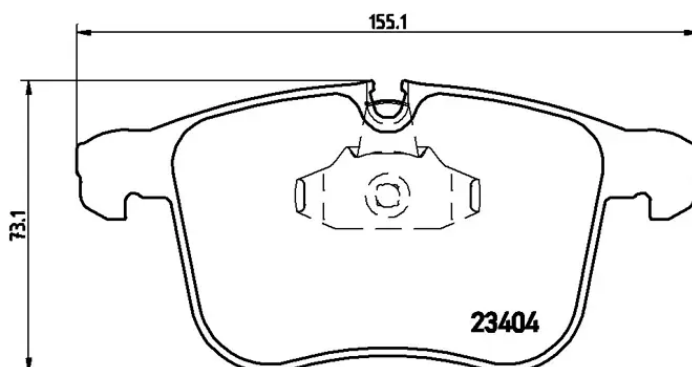
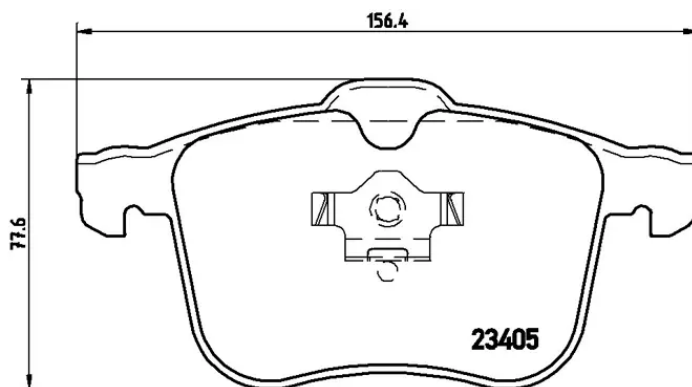
Brembo NAO brake pads stand out for their ultimate braking comfort, reduced friction wear and low dust mission, which makes for cleaner rims and reduced maintenance requirements. The advanced friction material in keeping with the strictest environmental standards is the main distinguishing feature of NAO compounds.

- ✓ OE-equivalent
- ✓ Brembo quality
- ✓ Safety
- ✓ Comfort
- ✓ Durability
- ✓ Dust reduction
- ✓ With accessories



Technical specifications

EAN code 8020584113974	Axle Front	Thickness 21 mm
Width 155 mm	Height 73 mm	Braking system Teves
Wear indicator Without	WVA number 20224,23405	Accessories With accessories With anti-squeal shim With piston clip



COMPATIBLE OE PART NUMBERS

1605079 OPEL

1605138 OPEL

9268709 OPEL

93176379 OPEL

931763790 OPEL

93802167 OPEL

12802167 SAAB
