



BRAKE PAD NAO P61124N

The P61124N NAO brake pad is synonymous with reliability

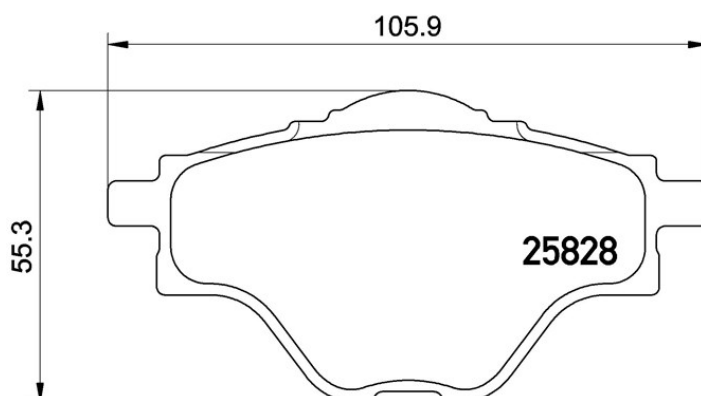
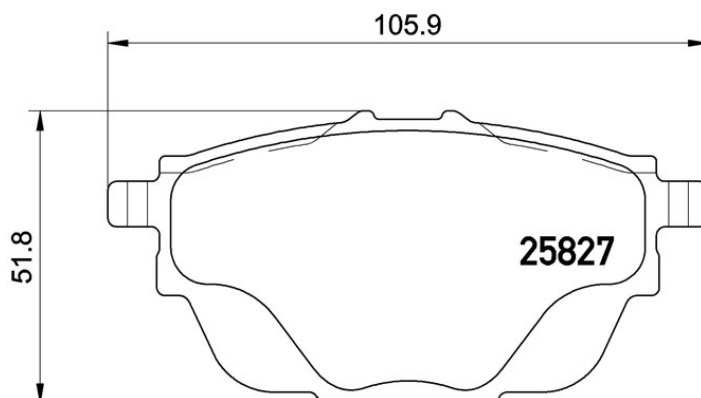
Brembo NAO brake pads stand out for their ultimate braking comfort, reduced friction wear and low dust mission, which makes for cleaner rims and reduced maintenance requirements. The advanced friction material in keeping with the strictest environmental standards is the main distinguishing feature of NAO compounds.

- ✓ OE-equivalent
- ✓ Brembo quality
- ✓ Safety
- ✓ Comfort
- ✓ Durability
- ✓ Dust reduction
- ✓ With accessories



Technical specifications

| | | |
|----------------------------------|----------------------------------|---|
| EAN code 8020584114230 | Axle Rear | Thickness 17 mm |
| Width 106 mm | Height 55 mm | Braking system Bosch |
| Wear indicator Without | WVA number 25828,25827 | Accessories With accessories With anti-squeal shim With brake caliper bolts |



COMPATIBLE OE PART NUMBERS

| | |
|------------|------------------|
| 1609000980 | CITROËN |
| 1617535480 | CITROËN |
| 1619791280 | CITROËN |
| 1647874380 | DS |
| 1014031404 | GEELY |
| 1064030003 | GEELY |
| 4036003000 | GEELY |
| 4050033200 | GEELY |
| 95525386 | OPEL |
| 1609000980 | PEUGEOT |
| 1617535480 | PEUGEOT |
| 1619791280 | PEUGEOT |
| 1647860380 | PEUGEOT |
| 1647874380 | PEUGEOT |
| 1678168080 | PEUGEOT (DF-PSA) |
| 95525386 | VAUXHALL |