



# BRAKE PAD PRIME CERAMIC P83090N

The P83090N NAO brake pad is synonymous with reliability

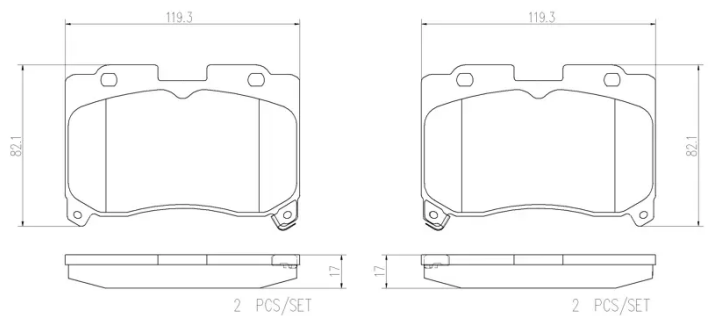
Brembo NAO brake pads stand out for their ultimate braking comfort, reduced friction wear and low dust mission, which makes for cleaner rims and reduced maintenance requirements. The advanced friction material in keeping with the strictest environmental standards is the main distinguishing feature of NAO compounds.

- ✓ OE-equivalent
- ✓ Brembo quality
- ✓ Safety
- ✓ Comfort
- ✓ Durability
- ✓ Dust reduction
- ✓ With accessories



## Technical specifications

EAN code <b>8020584085820</b>	Axle <b>Front</b>	Thickness <b>17 mm</b>
Width <b>119 mm</b>	Height <b>83 mm</b>	Braking system <b>Sumitomo</b>
Wear indicator <b>Acoustic</b>	WVA number <b>21957,21958</b>	Accessories <b>With anti-squeal shim</b>



## COMPATIBLE OE PART NUMBERS

AY040TY038 NISSAN

---

0446514150 TOYOTA

---

0446514390 TOYOTA

---

0446520100 TOYOTA

---

0446520600 TOYOTA

---

0449114330 TOYOTA

---

0449114331 TOYOTA

---

044912B040 TOYOTA

---

0494514120 TOYOTA

---