



BRAKE PAD

P 06 079

The P 06 079 brake pad is synonymous with reliability

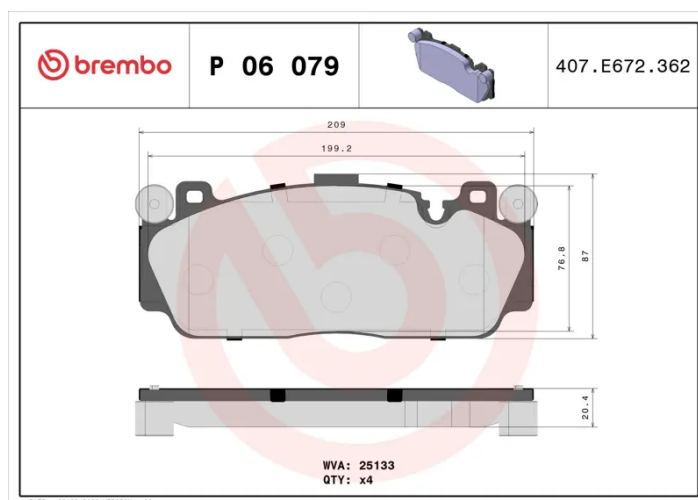
The Brembo brake pad guarantees ultimate safety when braking thanks to the use of more than 100 different compounds, designed according to the type of vehicle and use. Stopping distances reduced to a minimum, maximum driving comfort and silent operation are the most important features of Brembo materials. Brembo brake pads are supplied together with an extensive range of accessories and assembly kits for professional-standard installation.

- ✓ OE-equivalent
- ✓ Brembo quality
- ✓ ECE-R90 certificate
- ✓ Safety
- ✓ Performance
- ✓ Comfort



Technical specifications

EAN code 8020584102732	Axle Front	Thickness 20 mm
Width 208 mm	Height 87 mm	Braking system Brembo
Wear indicator Prepared for wear indicator	WVA number 25133	Accessories With anti-squeal shim



COMPATIBLE VEHICLES

COMPATIBLE OE PART NUMBERS

34112284369 BMW

34112284371 BMW

34112284869 BMW

34119502904 BMW
