



BRAKE PAD

P 16 005

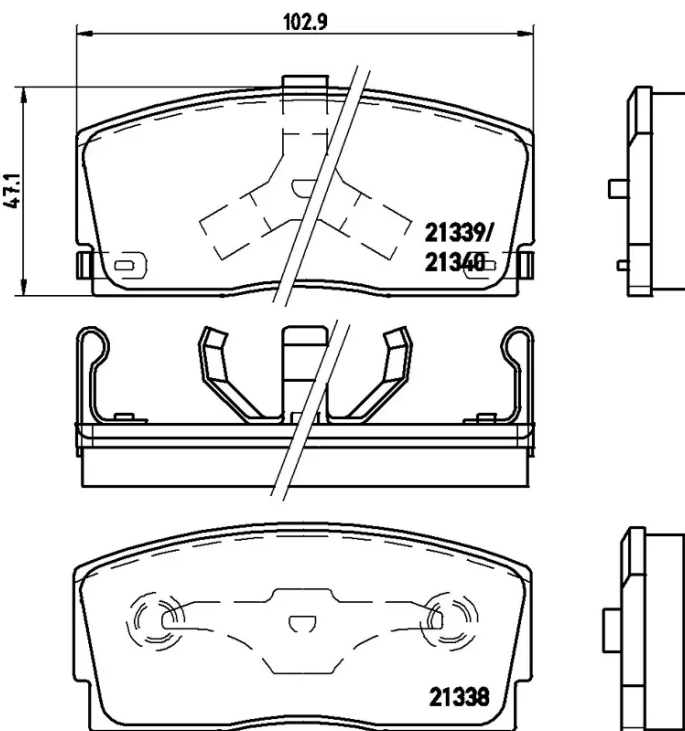
The P 16 005 brake pad is synonymous with reliability

The Brembo brake pad guarantees ultimate safety when braking thanks to the use of more than 100 different compounds, designed according to the type of vehicle and use. Stopping distances reduced to a minimum, maximum driving comfort and silent operation are the most important features of Brembo materials. Brembo brake pads are supplied together with an extensive range of accessories and assembly kits for professional-standard installation.

- ✓ OE-equivalent
- ✓ Brembo quality
- ✓ ECE-R90 certificate
- ✓ Safety
- ✓ Performance
- ✓ Comfort
- ✓ With accessories

Technical specifications

EAN code 8020584050651	Axle Front	Thickness 14 mm
Width 103 mm	Height 47 mm	Braking system Akebono
Wear indicator Acoustic	WVA number 21338,21339,21340	Accessories With accessories With anti-squeal shim With piston clip



COMPATIBLE OE PART NUMBERS

0449187101000	DAIHATSU
0449187103	DAIHATSU
0449187103000	DAIHATSU
0449187104	DAIHATSU
0449187104000	DAIHATSU
0449187109	DAIHATSU
0449187706	DAIHATSU
0449187706000	DAIHATSU
0449187708	DAIHATSU
0449187708000	DAIHATSU
0449187710	DAIHATSU
0449187710000	DAIHATSU
0449187712000	DAIHATSU
0449187715	DAIHATSU
0449187715000	DAIHATSU
0449187721000	DAIHATSU