



BRAKE PAD

P 16 010

The P 16 010 brake pad is synonymous with reliability

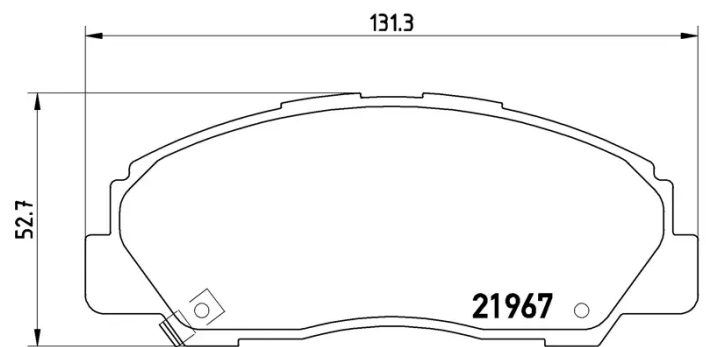
The Brembo brake pad guarantees ultimate safety when braking thanks to the use of more than 100 different compounds, designed according to the type of vehicle and use. Stopping distances reduced to a minimum, maximum driving comfort and silent operation are the most important features of Brembo materials. Brembo brake pads are supplied together with an extensive range of accessories and assembly kits for professional-standard installation.

- ✓ OE-equivalent
- ✓ Brembo quality
- ✓ ECE-R90 certificate
- ✓ Safety
- ✓ Performance
- ✓ Comfort



Technical specifications

EAN code	Axle	Thickness
8020584060209	Front	14 mm
Width	Height	Braking system
131 mm	53 mm	Akebono
Wear indicator	WVA number	Accessories
Acoustic	21967	With anti-squeal shim



COMPATIBLE VEHICLES

COMPATIBLE OE PART NUMBERS

0449187611 DAIHATSU

0449187612 DAIHATSU

0449187612000 DAIHATSU

0449187617 DAIHATSU

0449187617000 DAIHATSU

0449187621000 DAIHATSU

0449187624 DAIHATSU

0449187624000 DAIHATSU

0449187625 DAIHATSU

0449187625000 DAIHATSU

449187611000 DAIHATSU

0446560070 TOYOTA

0446560080 TOYOTA
