



# BEYOND EV PAD P 24 217E

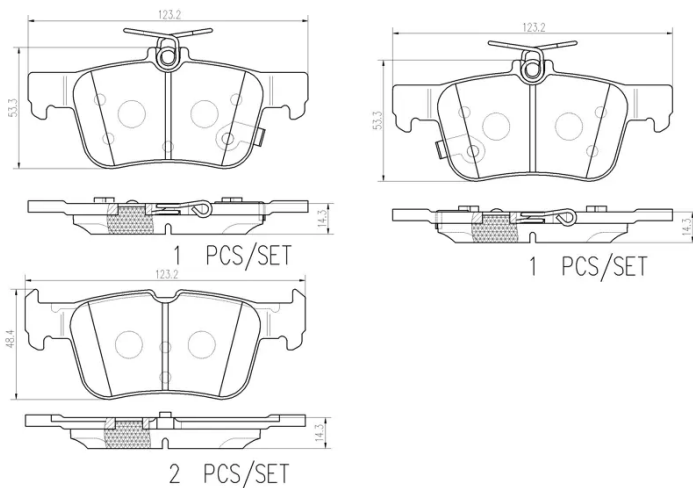
The P 24 217E brake pad is designed for electric cars

The use of regenerative braking, in electric vehicles, entails a more discontinuous use of the friction brake compared to a car with a combustion engine. For this reason, special attention is required to avoid the corrosion of brake discs and brake pads. The Brembo EV brake pad is coated with a special protective treatment, and when used in combination with Brembo EV brake discs, it avoids early corrosion of the braking system, guaranteeing silent and effective braking.

- ✓ Brembo quality
- ✓ ECE-R90 certificate
- ✓ Comfort
- ✓ Durability
- ✓ Anti-corrosion

## Technical specifications

EAN code <b>8020584129906</b>	Axle <b>Rear</b>	Thickness <b>14 mm</b>
Width <b>123 mm</b>	Height <b>48 mm</b>	Braking system <b>ATE</b>
Wear indicator <b>Acoustic</b>	WVA number <b>22231,22232,22233</b>	Accessories <b>With anti-squeal shim</b>



## COMPATIBLE VEHICLES

## COMPATIBLE OE PART NUMBERS

2247444	FORD
2367295	FORD
2379248	FORD
2433333	FORD
KTJ1GC2M007AC	FORD