



BRAKE PAD

P 30 021

The P 30 021 brake pad is synonymous with reliability

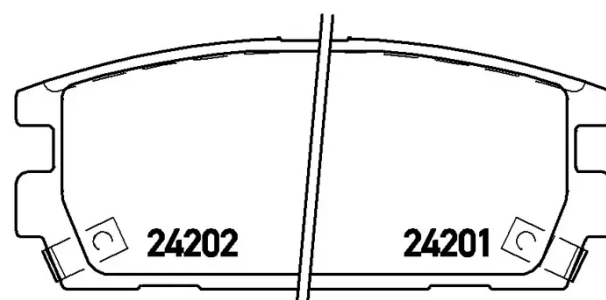
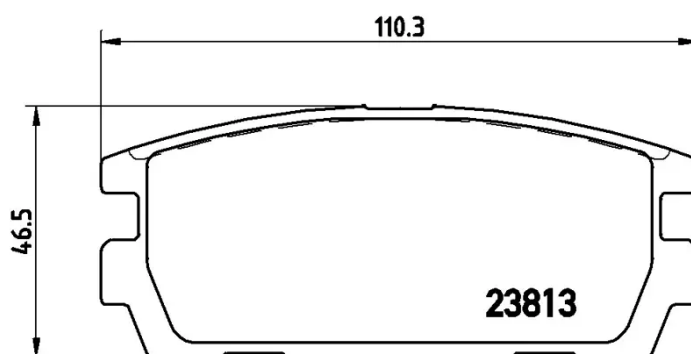
The Brembo brake pad guarantees ultimate safety when braking thanks to the use of more than 100 different compounds, designed according to the type of vehicle and use. Stopping distances reduced to a minimum, maximum driving comfort and silent operation are the most important features of Brembo materials. Brembo brake pads are supplied together with an extensive range of accessories and assembly kits for professional-standard installation.

- ✓ OE-equivalent
- ✓ Brembo quality
- ✓ ECE-R90 certificate
- ✓ Safety
- ✓ Performance
- ✓ Comfort



Technical specifications

EAN code	Axle	Thickness
8020584059531	Rear	16 mm
Width	Height	Braking system
110 mm	47 mm	Mando
Wear indicator	WVA number	Accessories
Acoustic	23813,24201,24202	With anti-squeal shim



COMPATIBLE OE PART NUMBERS

58302H1A00

HYUNDAI

58302H1A10

HYUNDAI
