



# BRAKE PAD

## P 49 011

The P 49 011 brake pad is synonymous with reliability

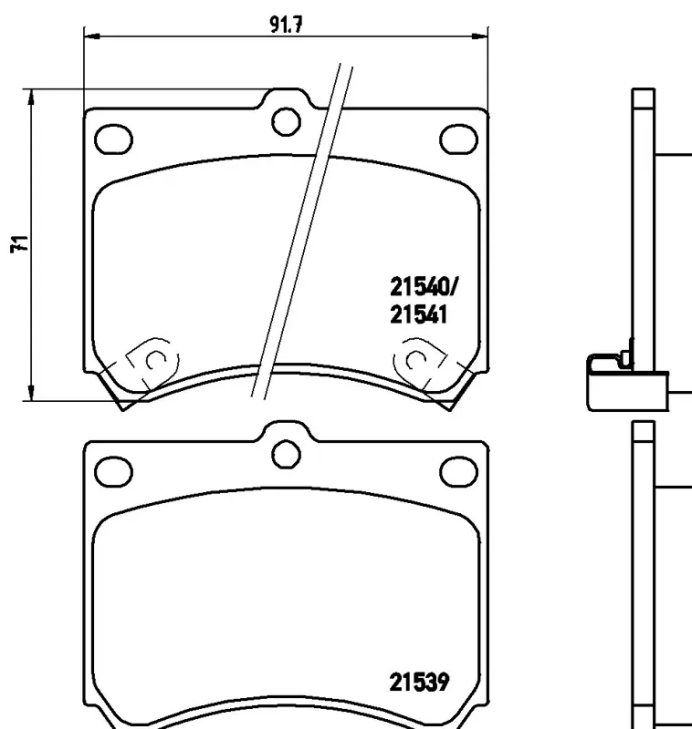
The Brembo brake pad guarantees ultimate safety when braking thanks to the use of more than 100 different compounds, designed according to the type of vehicle and use. Stopping distances reduced to a minimum, maximum driving comfort and silent operation are the most important features of Brembo materials. Brembo brake pads are supplied together with an extensive range of accessories and assembly kits for professional-standard installation.



- ✓ OE-equivalent
- ✓ Brembo quality
- ✓ ECE-R90 certificate
- ✓ Safety
- ✓ Performance
- ✓ Comfort

### Technical specifications

EAN code	Axle	Thickness
<b>8020584053485</b>	<b>Front</b>	<b>15 mm</b>
Width	Height	Braking system
<b>92 mm</b>	<b>71 mm</b>	<b>Sumitomo</b>
Wear indicator	WVA number	Accessories
<b>Acoustic</b>	<b>21539,21540,21541</b>	<b>With anti-squeal shim</b>



## COMPATIBLE OE PART NUMBERS

F1CZ2001B FORD

F3CZ2001B FORD

F4CZ2001A FORD

F4CZ2001B FORD

F7CZ2001BA FORD

X54Z2001AA FORD

1U023328Z MAZDA

B0YW3323Z MAZDA

B0YW3323ZA MAZDA

B0YW3323ZC MAZDA

B0YW3328Z MAZDA

B0YW3328ZA MAZDA

B2YV3323Z MAZDA

B2YV3328Z MAZDA

BCYA3323Z MAZDA

BOYW3323Z MAZDA

BOYW3328ZA MAZDA

BR4Y53329Z MAZDA

BRY43323Z MAZDA

BRY43323Z9A MAZDA

BRY43328Z MAZDA

BRY43328ZA MAZDA

BRY53323Z MAZDA

BRY53323ZA MAZDA

BRY63323Z MAZDA

BRY63323ZA MAZDA

B0YW3323ZB MITSUBISHI

B4Y53329Z MITSUBISHI

BCYW3329Z MITSUBISHI

BRY43323ZA MITSUBISHI

BRY53328ZA MITSUBISHI