



BRAKE PAD

P 65 042

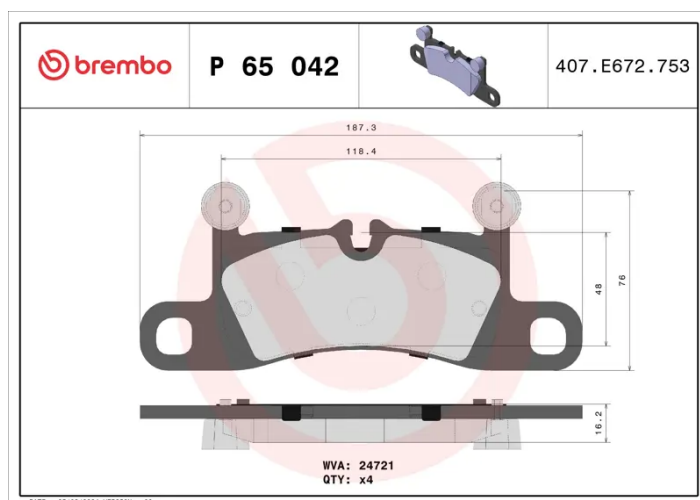
The P 65 042 brake pad is synonymous with reliability

The Brembo brake pad guarantees ultimate safety when braking thanks to the use of more than 100 different compounds, designed according to the type of vehicle and use. Stopping distances reduced to a minimum, maximum driving comfort and silent operation are the most important features of Brembo materials. Brembo brake pads are supplied together with an extensive range of accessories and assembly kits for professional-standard installation.

- ✓ OE-equivalent
- ✓ Brembo quality
- ✓ ECE-R90 certificate
- ✓ Safety
- ✓ Performance
- ✓ Comfort

Technical specifications

EAN code	Axle	Thickness
8020584069660	Rear	16 mm
Width	Height	Braking system
188 mm	76 mm	Brembo
Wear indicator	WVA number	Accessories
Prepared for wear indicator	25143	With anti-squeal shim With counterweights



COMPATIBLE VEHICLES

COMPATIBLE OE PART NUMBERS

99135293902	PORSCHE
-------------	---------

99135293904	PORSCHE
-------------	---------

9Y0698451AD	PORSCHE
-------------	---------

9Y0698451AE	PORSCHE
-------------	---------

9Y0698451AF	PORSCHE
-------------	---------

9Y0698451B	PORSCHE
------------	---------

9Y0698451J	PORSCHE
------------	---------