



BRAKE PAD

P 85 016

The P 85 016 brake pad is synonymous with reliability

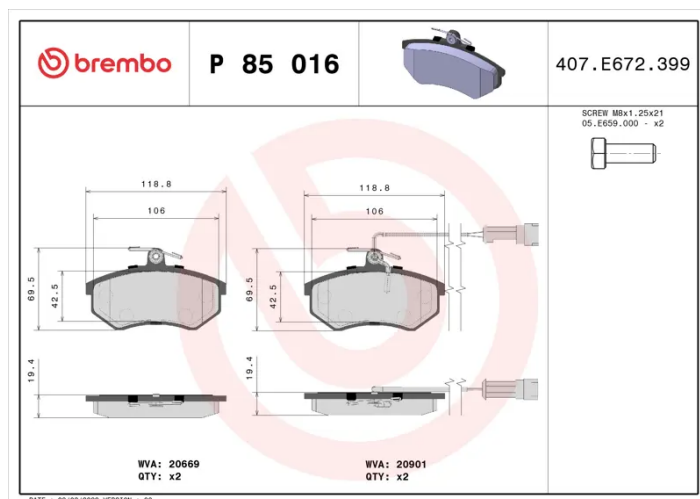
The Brembo brake pad guarantees ultimate safety when braking thanks to the use of more than 100 different compounds, designed according to the type of vehicle and use. Stopping distances reduced to a minimum, maximum driving comfort and silent operation are the most important features of Brembo materials. Brembo brake pads are supplied together with an extensive range of accessories and assembly kits for professional-standard installation.

- ✓ OE-equivalent
- ✓ Brembo quality
- ✓ ECE-R90 certificate
- ✓ Safety
- ✓ Performance
- ✓ Comfort
- ✓ With accessories



Technical specifications

EAN code 8020584058190	Axle Front	Thickness 20 mm
Width 119 mm	Height 70 mm	Braking system TRW
Wear indicator Electric	WVA number 20669,20901	Accessories With accessories With anti-squeal shim With brake caliper bolts



COMPATIBLE VEHICLES

COMPATIBLE OE PART NUMBERS

437698151	AUDI
443398151F	AUDI
443698151C	AUDI
443698151D	AUDI
443698151E	AUDI
443698151F	AUDI
443698151G	AUDI
443698151H	AUDI
8A0698151	AUDI
A21BJ3501080	CHERY
A21BJ3501080AC	CHERY
437698151	SEAT
443398151F	SEAT
443698151C	SEAT
443698151D	SEAT
443698151E	SEAT
443698151F	SEAT
443698151G	SEAT
443698151H	SEAT
8A0698151	SEAT
437698151	SKODA
443398151F	SKODA
443698151C	SKODA
443698151D	SKODA
443698151E	SKODA
443698151F	SKODA
443698151G	SKODA
443698151H	SKODA
8A0698151	SKODA
437698151	VW
443398151F	VW
443698151C	VW
443698151D	VW
443698151E	VW
443698151F	VW
443698151G	VW
443698151H	VW
8A0698151	VW
230400009	ZHONGHUA (BRILLIANCE)
SHZ3501031	ZHONGHUA (BRILLIANCE)