



# BRAKE PAD PRIME CERAMIC P11040N

The P11040N NAO brake pad is  
synonymous with reliability

Brembo NAO brake pads stand out for their ultimate braking comfort, reduced friction wear and low dust mission, which makes for cleaner rims and reduced maintenance requirements. The advanced friction material in keeping with the strictest environmental standards is the main distinguishing feature of NAO compounds.

- ✓ OE-equivalent
- ✓ Brembo quality
- ✓ Safety
- ✓ Comfort
- ✓ Durability
- ✓ Dust reduction
- ✓ With accessories



## Technical specifications

EAN code  
**8020584113516**

Axle  
**Rear**

Thickness  
**18 mm**

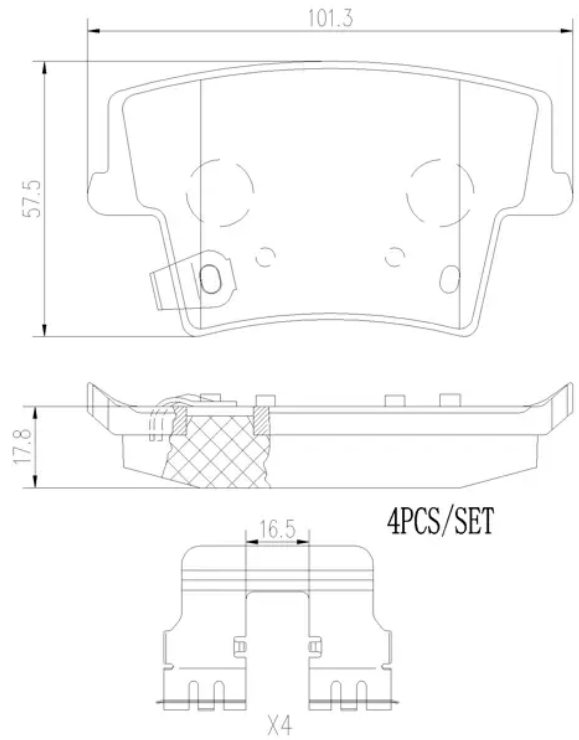
Width  
**101 mm**

Height  
**58 mm**

Wear indicator  
**Acoustic**

WVA number  
**22209**

Accessories  
**With anti-squeal shim**



## COMPATIBLE VEHICLES

## COMPATIBLE OE PART NUMBERS

05142560AA	CHRYSLER
05142560AB	CHRYSLER
05142561AB	CHRYSLER
5137672AA	CHRYSLER
5142560AA	CHRYSLER
5142560AB	CHRYSLER
5142561AB	CHRYSLER
5172560AA	CHRYSLER
K5142560AA	CHRYSLER
K5142560AB	CHRYSLER
00K68001440AC	DODGE
05175818AA	DODGE
5137672AA	DODGE
5172560AA	DODGE
5175818AA	DODGE
68001440AC	DODGE