



BRAKE DISC

08.7955.10

The **08.7955.10** brake disc is synonymous with reliability

The Brembo brake disc is fully interchangeable with an Original Equipment brake disc. The control of the entire production cycle allows Brembo to offer brake discs with outstanding performance levels, reliability, durability and comfort in all conditions of use. All Brembo brake discs are accompanied by the ECE-R90 homologation.

- ✓ OE-equivalent
- ✓ Brembo quality
- ✓ ECE-R90 certificate
- ✓ Safety



Technical specifications



EAN code
8020584795514

Axle
Rear

Diameter Ø
272 mm

Thickness (TH)
12 mm

Height (A)
28 mm

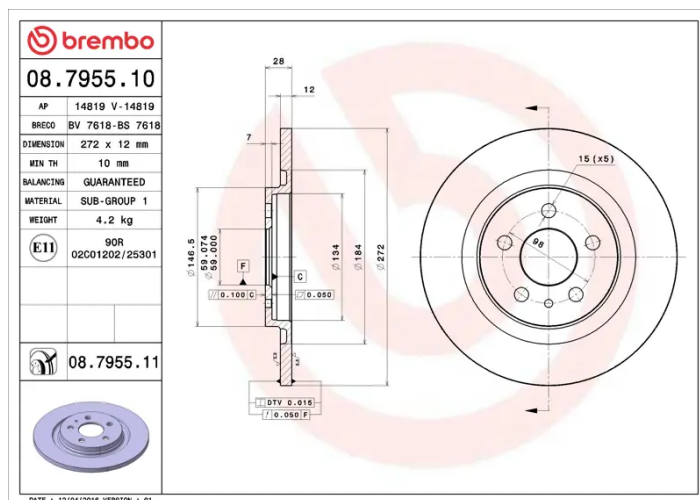
Number of holes (C)
5

Brake disc type
Solid

Centering (B)
59 mm

Min. thickness
10 mm

Tightening torque
100 Nm



COMPATIBLE VEHICLES

COMPATIBLE OE PART NUMBERS

4246P4	CITROËN
--------	---------

4249C0	CITROËN
--------	---------

71772546	FIAT
----------	------

9464222687	FIAT
------------	------

9464222688	FIAT
------------	------

9464222687	LANCIA
------------	--------

9464222688	LANCIA
------------	--------

1618861780	PEUGEOT
------------	---------

4246P3	PEUGEOT
--------	---------

4246P4	PEUGEOT
--------	---------

4249C0	PEUGEOT
--------	---------

E169153	PEUGEOT
---------	---------