



BRAKE DISC

08.A268.10

The **08.A268.10** brake disc is synonymous with reliability

The Brembo brake disc is fully interchangeable with an Original Equipment brake disc. The control of the entire production cycle allows Brembo to offer brake discs with outstanding performance levels, reliability, durability and comfort in all conditions of use. All Brembo brake discs are accompanied by the ECE-R90 homologation.

- ✓ OE-equivalent
- ✓ Brembo quality
- ✓ ECE-R90 certificate
- ✓ Safety
- ✓ Fastening screws



Technical specifications



EAN code
8020584016466

Axle
Front

Diameter Ø
260 mm

Thickness (TH)
12 mm

Height (A)
41 mm

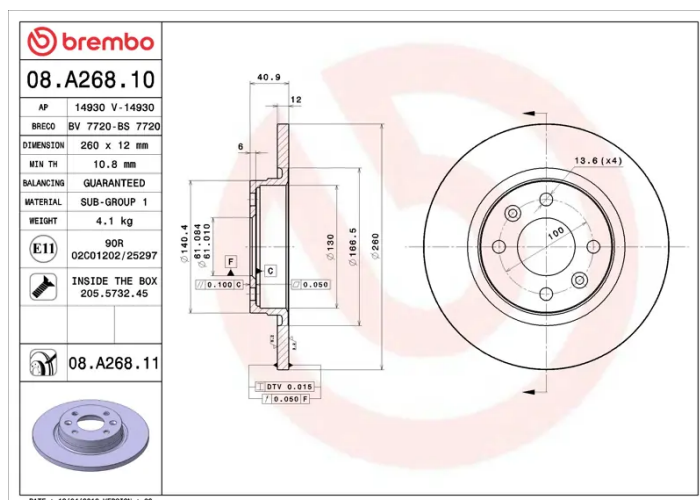
Number of holes (C)
4

Brake disc type
Solid

Centering (B)
61 mm

Min. thickness
10,8 mm

Tightening torque
105 Nm



COMPATIBLE VEHICLES

COMPATIBLE OE PART NUMBERS

6001547683 DACIA

7701208252 RENAULT

8200123117 RENAULT

4534200000 SMART

A4534200000 SMART

A4534205700 SMART
