



BRAKE DISC

08.E026.20

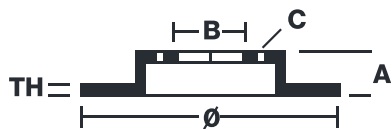
The 08.E026.20 brake disc is synonymous with reliability

The Brembo brake disc is fully interchangeable with an Original Equipment brake disc. The control of the entire production cycle allows Brembo to offer brake discs with outstanding performance levels, reliability, durability and comfort in all conditions of use. All Brembo brake discs are accompanied by the ECE-R90 homologation.

- ✓ OE-equivalent
- ✓ Brembo quality
- ✓ ECE-R90 certificate
- ✓ Safety



Technical specifications



EAN code
8020584313022

Axle
Rear

Diameter Ø
308 mm

Thickness (TH)
16 mm

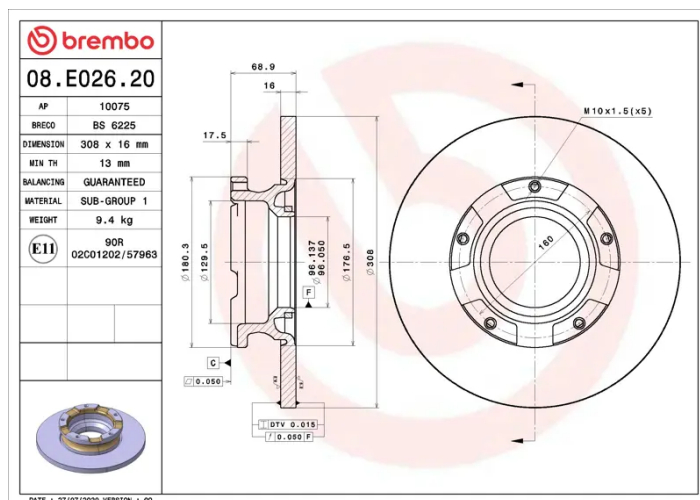
Height (A)
69 mm

Number of holes (C)
5

Brake disc type
Solid

Centering (B)
96 mm

Min. thickness
13 mm



COMPATIBLE OE PART NUMBERS

2012584	FORD
---------	------

2040064	FORD
---------	------

2633658	FORD
---------	------

BK212A097EB	FORD
-------------	------

GK292A097AA	FORD (JMC)
-------------	------------

GK292A097AB	FORD (JMC)
-------------	------------
