



# BRAKE DISC MAX

## 09.5290.75

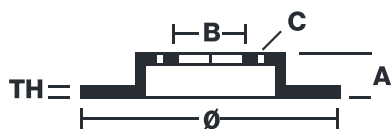
The 09.5290.75 Max brake disc is synonymous with reliability

The Brembo Max brake disc features grooves on the braking surface. The special shape of the grooves generates greater fading resistance and constant renewal of friction material, quickly restoring optimum braking conditions. The UV paint completes the sporty look.

- ✓ Brembo quality
- ✓ ECE-R90 certificate
- ✓ Performance
- ✓ Sports driving
- ✓ Sporty look
- ✓ Anti-corrosion



### Technical specifications



EAN code  
**8020584015186**

Axle  
**Front**

Diameter Ø  
**259 mm**

Thickness (TH)  
**23 mm**

Height (A)  
**34 mm**

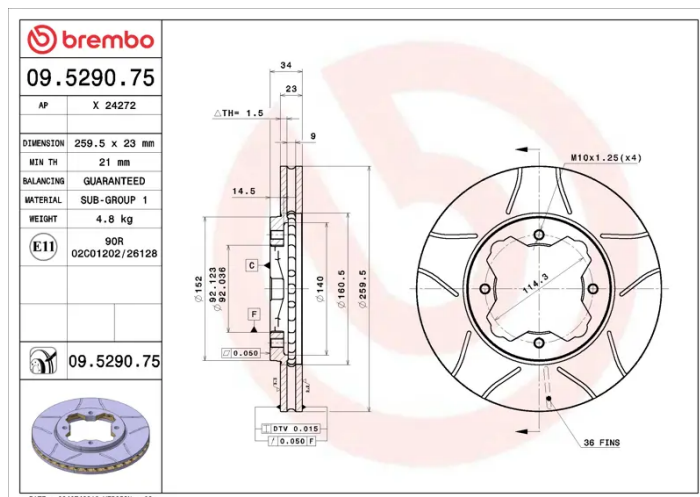
Number of holes (C)  
**4**

Brake disc type  
**Ventilated**

Centering (B)  
**92 mm**

Min. thickness  
**21 mm**

Tightening torque  
**108 Nm**



## COMPATIBLE OE PART NUMBERS

45251SM4000	ACURA
-------------	-------

45251SM4010	ACURA
-------------	-------

45251SM4020	ACURA
-------------	-------

45251SM4000	HONDA
-------------	-------

45251SM4010	HONDA
-------------	-------

45251SM4020	HONDA
-------------	-------

45251SM4020A	HONDA
--------------	-------

45251SN7E40	HONDA
-------------	-------