



BRAKE DISC MAX

09.6845.75

The 09.6845.75 Max brake disc is synonymous with reliability

The Brembo Max brake disc features grooves on the braking surface. The special shape of the grooves generates greater fading resistance and constant renewal of friction material, quickly restoring optimum braking conditions. The UV paint completes the sporty look.

- ✓ Brembo quality
- ✓ ECE-R90 certificate
- ✓ Performance
- ✓ Sports driving
- ✓ Sporty look
- ✓ High carbon
- ✓ Anti-corrosion
- ✓ Fastening screws



Technical specifications



EAN code
8020584011423

Axle
Front

Diameter Ø
288 mm

Thickness (TH)
25 mm

Height (A)
47 mm

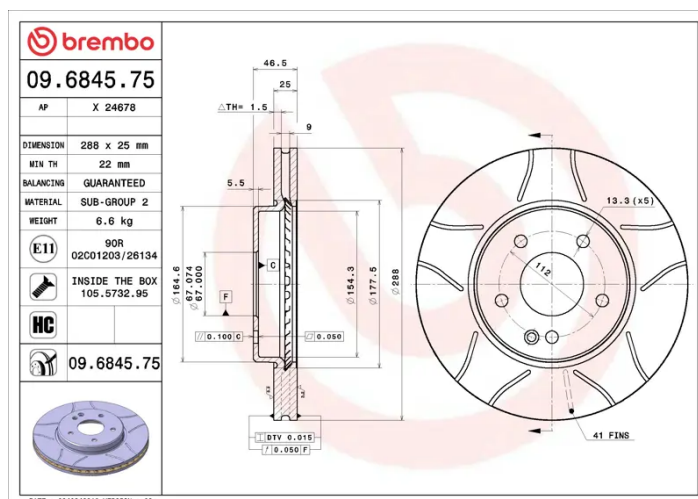
Number of holes (C)
5

Brake disc type
Ventilated

Centering (B)
67 mm

Min. thickness
22 mm

Tightening torque
110 Nm



COMPATIBLE VEHICLES

COMPATIBLE OE PART NUMBERS

| | |
|------------|---------------|
| 2104210712 | MERCEDES-BENZ |
|------------|---------------|

| | |
|------------|---------------|
| 2104212412 | MERCEDES-BENZ |
|------------|---------------|

| | |
|-------------|---------------|
| A2104210712 | MERCEDES-BENZ |
|-------------|---------------|

| | |
|-------------|---------------|
| A2104212412 | MERCEDES-BENZ |
|-------------|---------------|
