



BRAKE DISC

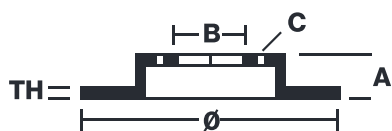
09.6969.10

The **09.6969.10** brake disc is synonymous with reliability

The Brembo brake disc is fully interchangeable with an Original Equipment brake disc. The control of the entire production cycle allows Brembo to offer brake discs with outstanding performance levels, reliability, durability and comfort in all conditions of use. All Brembo brake discs are accompanied by the ECE-R90 homologation.

- ✓ OE-equivalent
- ✓ Brembo quality
- ✓ ECE-R90 certificate
- ✓ Safety
- ✓ High carbon

Technical specifications



EAN code
8020584696910

Axle
Front

Diameter Ø
324 mm

Thickness (TH)
30 mm

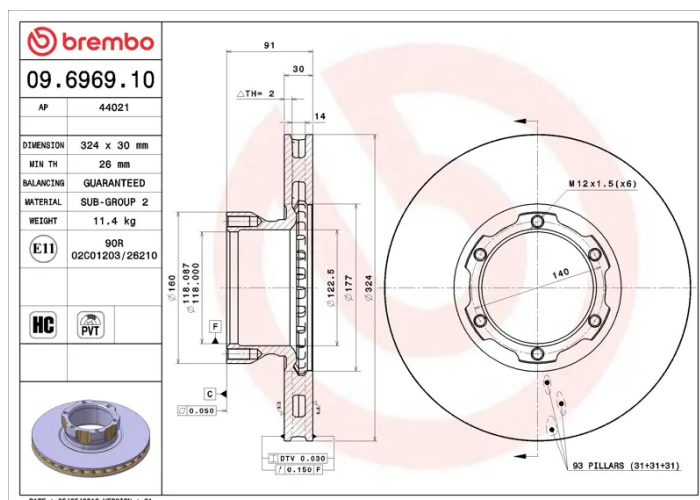
Height (A)
91 mm

Number of holes (C)
6

Brake disc type
Ventilated

Centering (B)
118 mm

Min. thickness
26 mm



COMPATIBLE VEHICLES

COMPATIBLE OE PART NUMBERS

6684210212	MERCEDES-BENZ
------------	---------------

6704210112	MERCEDES-BENZ
------------	---------------

6704210312	MERCEDES-BENZ
------------	---------------

A6684210212	MERCEDES-BENZ
-------------	---------------

A6704210312	MERCEDES-BENZ
-------------	---------------
