



BRAKE DISC PAINTED

09.7196.11

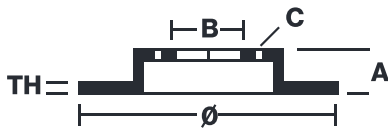
The 09.7196.11 painted brake disc is synonymous with reliability

The Brembo brake disc with special UV paint treatment guarantees superior corrosion resistance for the product, thanks to the protective coating on the outer edges and on the disc hub. The UV paint not only gives the disc a clean, shiny appearance but is also beneficial for the environment as the water-based UV paint treatment does not require the use of chemical solvents and is a low energy consumption process.

- ✓ OE-equivalent
- ✓ Brembo quality
- ✓ ECE-R90 certificate
- ✓ Safety
- ✓ High carbon
- ✓ Anti-corrosion



Technical specifications



EAN code **8020584027264**
 Axle **Front and rear**

Thickness (TH) **22 mm**
 Height (A) **46 mm**

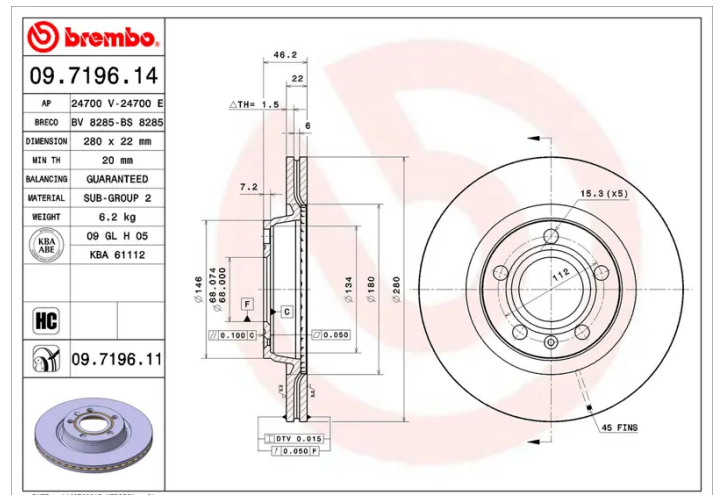
Brake disc type **Ventilated**
 Centering (B) **68 mm**

Diameter Ø **280 mm**

Number of holes (C) **5**

Min. thickness **20 mm**

Tightening torque **120 Nm**



COMPATIBLE VEHICLES

COMPATIBLE OE PART NUMBERS

8E0615301B	AUDI
------------	------

8E0615301D	AUDI
------------	------

8E0615301P	AUDI
------------	------

8E0615301P	SEAT
------------	------

8E0615301B	VW
------------	----

8E0615301D	VW
------------	----

8E0615301P	VW
------------	----

JZW615301Q	VW
------------	----