



BRAKE DISC PAINTED

09.A110.11

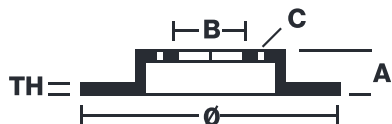
The 09.A110.11 painted brake disc is synonymous with reliability

The Brembo brake disc with special UV paint treatment guarantees superior corrosion resistance for the product, thanks to the protective coating on the outer edges and on the disc hub. The UV paint not only gives the disc a clean, shiny appearance but is also beneficial for the environment as the water-based UV paint treatment does not require the use of chemical solvents and is a low energy consumption process.

- ✓ OE-equivalent
- ✓ Brembo quality
- ✓ ECE-R90 certificate
- ✓ Safety
- ✓ Anti-corrosion

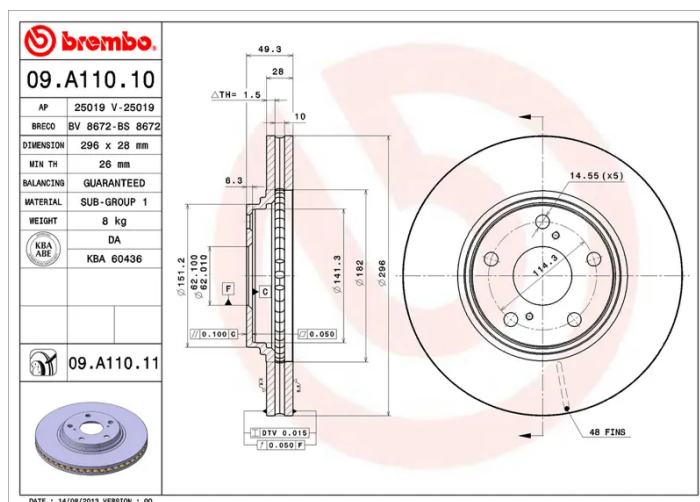


Technical specifications



EAN code 8020584034729	Axle Front	Diameter Ø 296 mm
Thickness (TH) 28 mm	Height (A) 49 mm	Number of holes (C) 5
Brake disc type Ventilated	Centering (B) 62 mm	Min. thickness 26 mm

Tightening torque
103 Nm



COMPATIBLE VEHICLES

COMPATIBLE OE PART NUMBERS

4351233100	LEXUS
------------	-------

4351248010	LEXUS
------------	-------

4351248011	LEXUS
------------	-------

4351248020	LEXUS
------------	-------

4351248030	LEXUS
------------	-------

4351248031	LEXUS
------------	-------

4351248050	LEXUS
------------	-------

4351248060	LEXUS
------------	-------

4351258010	LEXUS
------------	-------

4351258011	LEXUS
------------	-------

4351206130	TOYOTA
------------	--------

4351228180	TOYOTA
------------	--------

4351228181	TOYOTA
------------	--------

4351233100	TOYOTA
------------	--------

4351248010	TOYOTA
------------	--------

4351248011	TOYOTA
------------	--------

4351248030	TOYOTA
------------	--------

4351248031	TOYOTA
------------	--------

4351258010	TOYOTA
------------	--------

4351258011	TOYOTA
------------	--------