



# BRAKE DISC

## 09.A204.10

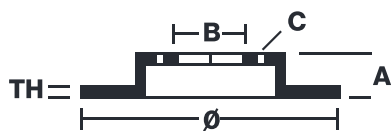
The **09.A204.10** brake disc is synonymous with reliability

The Brembo brake disc is fully interchangeable with an Original Equipment brake disc. The control of the entire production cycle allows Brembo to offer brake discs with outstanding performance levels, reliability, durability and comfort in all conditions of use. All Brembo brake discs are accompanied by the ECE-R90 homologation.

- ✓ OE-equivalent
- ✓ Brembo quality
- ✓ ECE-R90 certificate
- ✓ Safety



### Technical specifications



EAN code  
**8020584016282**

Axle  
**Front**

Diameter Ø  
**338 mm**

Thickness (TH)  
**28 mm**

Height (A)  
**67 mm**

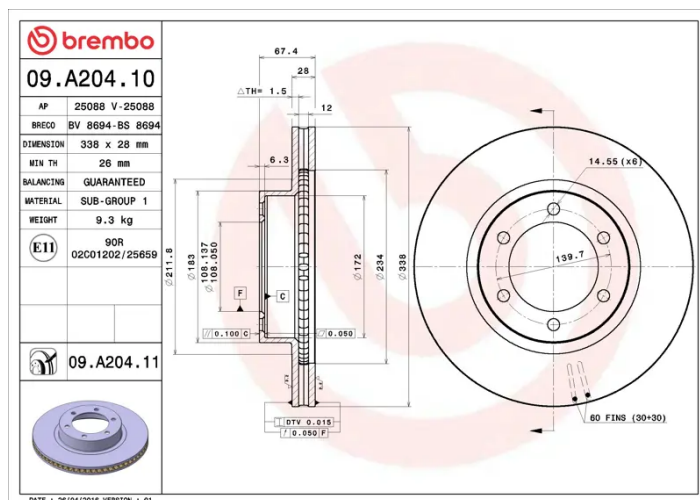
Number of holes (C)  
**6**

Brake disc type  
**Ventilated**

Centering (B)  
**108 mm**

Min. thickness  
**26 mm**

Tightening torque  
**112 Nm**



**COMPATIBLE VEHICLES**

## COMPATIBLE OE PART NUMBERS

4351260151	LEXUS
------------	-------

4351260160	LEXUS
------------	-------

4351260150	TOYOTA
------------	--------

4351260151	TOYOTA
------------	--------

4351260160	TOYOTA
------------	--------

4351260150	TOYOTA (FAW)
------------	--------------

4351260151	TOYOTA (FAW)
------------	--------------