



BRAKE DISC

09.A427.10

The **09.A427.10** brake disc is synonymous with reliability

The Brembo brake disc is fully interchangeable with an Original Equipment brake disc. The control of the entire production cycle allows Brembo to offer brake discs with outstanding performance levels, reliability, durability and comfort in all conditions of use. All Brembo brake discs are accompanied by the ECE-R90 homologation.

- ✓ OE-equivalent
- ✓ Brembo quality
- ✓ ECE-R90 certificate
- ✓ Safety



Technical specifications



EAN code
8020584019351

Axle
Front

Diameter Ø
300 mm

Thickness (TH)
28 mm

Height (A)
52 mm

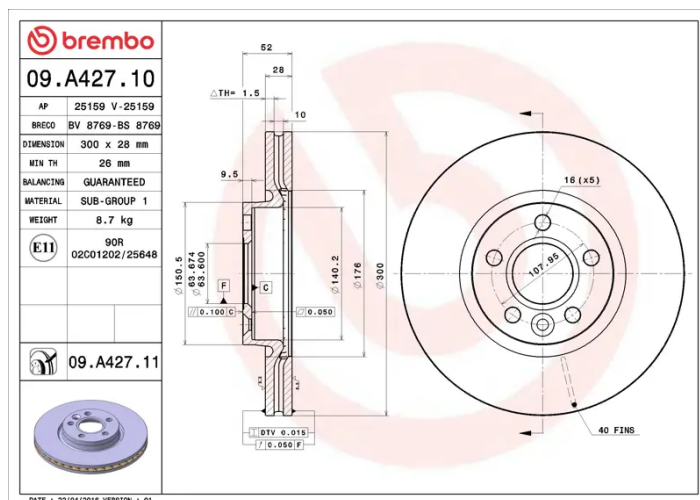
Number of holes (C)
5

Brake disc type
Ventilated

Centering (B)
64 mm

Min. thickness
26 mm

Tightening torque
170 Nm



COMPATIBLE VEHICLES

COMPATIBLE OE PART NUMBERS

1379965	FORD
1384689	FORD
1405510	FORD
1420600	FORD
1420601	FORD
1469085	FORD
1500158	FORD
6G912C375FA	FORD
6G912C375FB	FORD
7G911125BA	FORD
LR000571	LAND ROVER
LR007055	LAND ROVER
LR068925	LAND ROVER
30736311	VOLVO
307363110	VOLVO
30769056	VOLVO
307690560	VOLVO
31202327	VOLVO
312023270	VOLVO
31202331	VOLVO
312023310	VOLVO
313413820	VOLVO
31358885	VOLVO (CHANGAN)
31358885	VOLVO ASIA