



BRAKE DISC MAX

09.B355.75

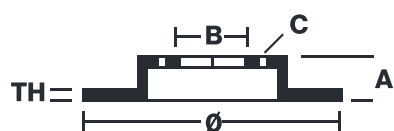
The 09.B355.75 Max brake disc is synonymous with reliability

The Brembo Max brake disc features grooves on the braking surface. The special shape of the grooves generates greater fading resistance and constant renewal of friction material, quickly restoring optimum braking conditions. The UV paint completes the sporty look.

- ✓ Brembo quality
- ✓ ECE-R90 certificate
- ✓ Performance
- ✓ Sports driving
- ✓ Sporty look
- ✓ Anti-corrosion
- ✓ Fastening screws



Technical specifications



EAN code
8020584237304

Axle
Front

Diameter \varnothing
276 mm

Thickness (TH)
26 mm

Height (A)
46 mm

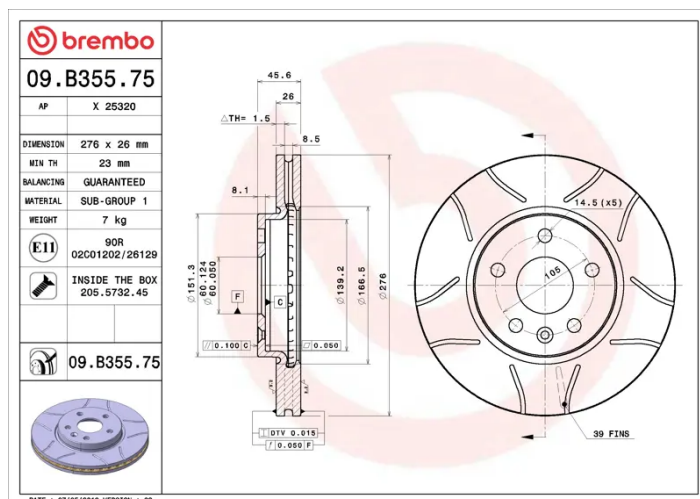
Number of holes (C)
5

Brake disc type
Ventilated

Centering (B)
60 mm

Min. thickness
23 mm

Tightening torque
120 Nm



COMPATIBLE VEHICLES

COMPATIBLE OE PART NUMBERS

13502045 BUICK (SGM)

13502824 BUICK (SGM)

13502044 CHEVROLET

13502045 CHEVROLET

13502824 CHEVROLET

23118274 CHEVROLET

13502045 CHEVROLET (SGM)

13502824 CHEVROLET (SGM)

13502050 GMC

13502044 OPEL

13502045 OPEL

569069 OPEL

569073 OPEL

95527030 OPEL

13502044 VAUXHALL

13502045 VAUXHALL

95527030 VAUXHALL
