



BRAKE DISC LIGHTWEIGHT

09.D551.23

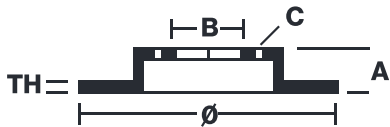
LightWeight brake disc 09.D551.23 belongs to Brembo Premium Line

The LightWeight brake disc solution is characterised by a high-carbon cast iron braking surface connected by pressure to the steel hat. It is up to 15% lighter than an equivalent integral disc. As a result, it significantly improves the road behaviour of the vehicle and reduces fuel consumption and emissions as well.



- ✓ OE-equivalent
- ✓ Brembo quality
- ✓ ECE-R90 certificate
- ✓ Weight reduction
- ✓ High carbon
- ✓ Bi-Material Brake Disc
- ✓ Anti-corrosion
- ✓ Fading resistance

Technical specifications



EAN code
8020584316030

Axle
Rear

Diameter Ø
325 mm

Thickness (TH)
25 mm

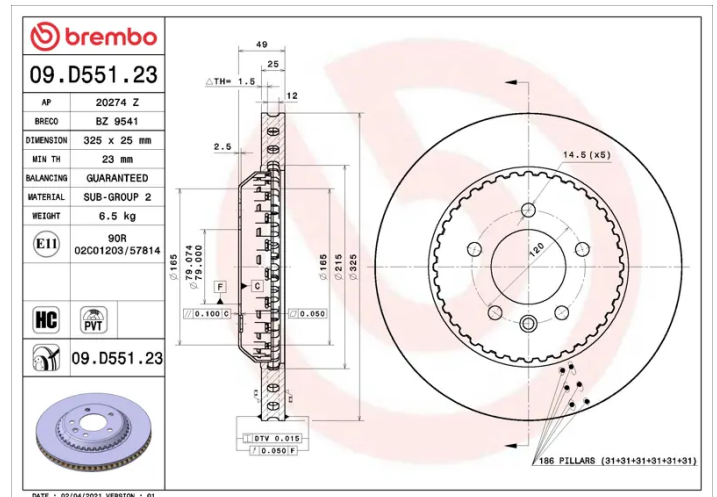
Height (A)
49 mm

Number of holes (C)
5

Brake disc type
Ventilated

Centering (B)
79 mm

Min. thickness
23 mm



COMPATIBLE OE PART NUMBERS

LR132810 LAND ROVER

LR161901 LAND ROVER

LR187241 LAND ROVER
