



BRAKE PAD PRIME CERAMIC P06029N

The P06029N NAO brake pad is synonymous with reliability

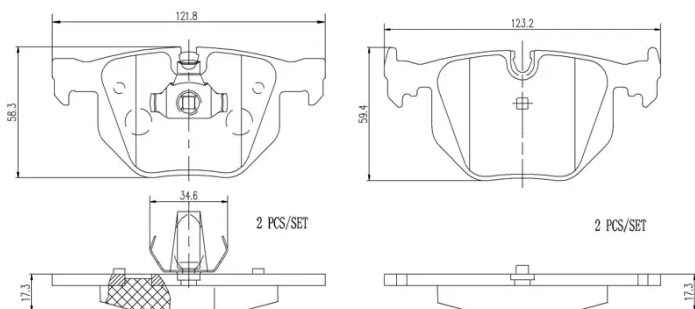
Brembo NAO brake pads stand out for their ultimate braking comfort, reduced friction wear and low dust mission, which makes for cleaner rims and reduced maintenance requirements. The advanced friction material in keeping with the strictest environmental standards is the main distinguishing feature of NAO compounds.

- ✓ OE-equivalent
- ✓ Brembo quality
- ✓ Safety
- ✓ Comfort
- ✓ Durability
- ✓ Dust reduction
- ✓ With accessories



Technical specifications

EAN code 8020584087886	Axle Rear	Thickness 17 mm
Width 122 mm	Height 58 mm	Braking system Teves
Wear indicator Prepared for wear indicator	WVA number 21282,23447	Accessories With accessories With anti-squeal shim With piston clip



COMPATIBLE VEHICLES

COMPATIBLE OE PART NUMBERS

34216753850	BMW
34216758870	BMW
34216761285	BMW